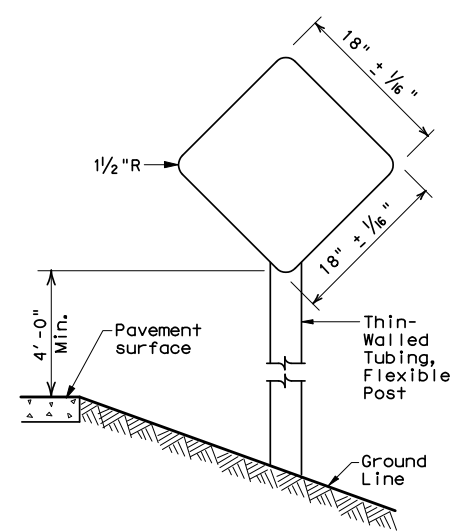


DISCLAIMER: The use of this standard is governed by the "Texas Engineering Practice Act". No warranty of any kind is made by TxDOT for any purpose whatsoever. TxDOT assumes no responsibility for incorrect results or damages resulting from its use.

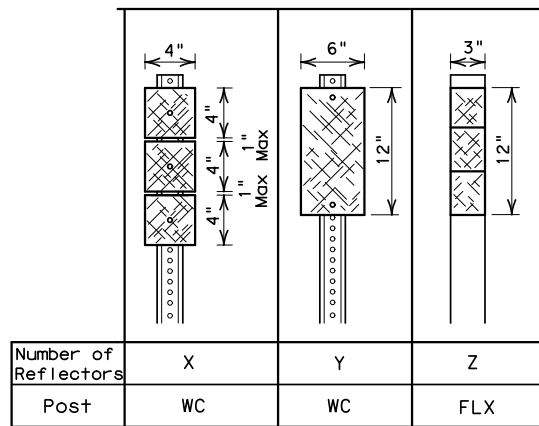


TYPE 1
18" x 18"
Yellow
Type E Sheeting

TYPE 4
18" x 18"
Red
Type D Sheeting

Use Sign blank 0.080" thick sheet aluminum conforming to ASTM B-209 Alloy 6061-T6. Use reflective sheeting in accordance with DMS 8300.

TYPES 1 and 4



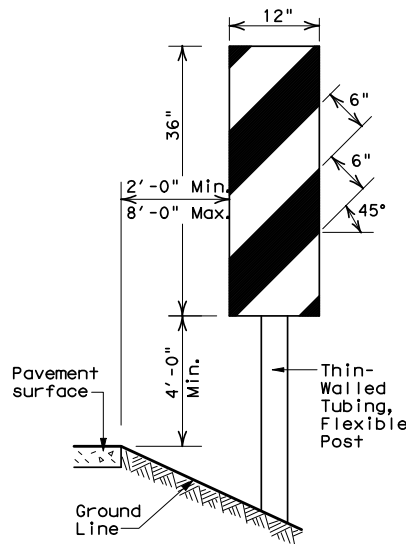
Number of Reflectors	X	Y	Z
Post	WC	WC	FLX

- NOTES**
- All type 2 object markers are yellow
 - WC-wing channel post, 1.12 lbs/ft steel per ASTM A 1011 SS Gr 50, or ASTM A499
 - FLX-flexible post (embedded and surface mount)

Typically used on bridge rail approach ends, some bridge abutments and at bridge rail exits on two-lane, two-way roadways

TYPE 2

OBJECT MARKERS



OM-3 Directions

- L - Placed on Left Side
- R - Placed on Right Side
- C - Placed on Center

Use Sign blank .080" thick sheet aluminum conforming to ASTM B-209 Alloy 6061-T6. Use reflective sheeting in accordance with DMS 8300, Type E. Use at bridges with no approach rails.

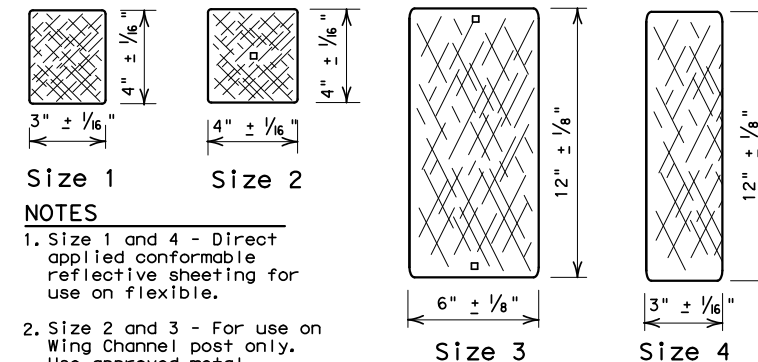
TYPE 3

Number of Reflectors	SINGLE		DOUBLE	
	D-SY, D-SR or D-SW	D-DY or D-DW	D-SY, D-SR or D-SW	D-DY or D-DW
Post	WC	FLX	WC	FLX

NOTES

- Reflector Units: W-White, R-Red, Y-Yellow
- Length of post may vary to meet field conditions.
- WC-wing channel post, 1.12 lbs/ft Steel per ASTM A 1011 SS Gr 50, or ASTM A499
- FLX-flexible post (embedded and surface mount)

DELINEATORS



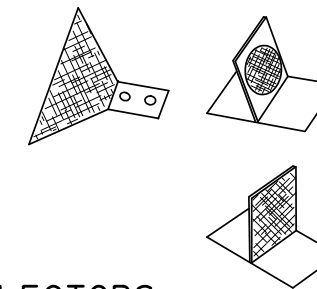
NOTES

- Size 1 and 4 - Direct applied conformable reflective sheeting for use on flexible.
- Size 2 and 3 - For use on Wing Channel post only. Use approved metal, plastic or fiberglass backplate with 17/64" square mounting holes.
- Yellow, White & Red: Conformable Reflective Sheeting as per DMS 8300.

REFLECTOR UNIT SIZES

NOTES

- A reflector unit or sheeting (per DMS 8600) attached to a bracket to facilitate the mounting of the reflector on concrete traffic barrier, railing, metal beam guard fence (MBGF) or other locations shown on the plans. A list of approved barrier reflectors can be found at: www.txdot.gov
- Yellow, White and Red: Conformable Reflective Sheeting as per DMS 8300.



BARRIER REFLECTORS

D & OM DESCRIPTIVE CODES

INSTL DEL ASSM (D-XX)SZ X (XXX)XXX(XX)

- NUMBER OF REFLECTORS
S = Single
D = Double
- COLOR OF REFLECTORS
W = White
Y = Yellow
R = Red
- REFLECTOR UNIT SIZE
1 or 2
- TYPE OF POST OR DELINEATOR
WC = Wing Channel Post
FLX = Flexible Post
TYC = Barrier Reflector

- TYPE OF MOUNT
GND = Embedded (drivable or set in concrete)
CTB = Concrete Barrier Mount
GF1 or GF2 = Guard Fence Attachment
SRF = Surface Mount

- DIRECTION
If Required
BI = Bi-Directional
BR = Bi-Directional with red on back

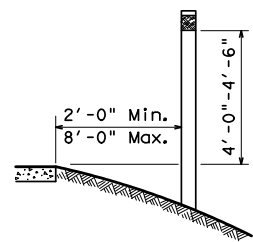
INSTL OM ASSM (OM-XX) (XXX)XXX(XX)

- TYPE OF OBJECT MARKER
1, 2, 3, or 4
- NUMBER OF REFLECTORS OR DIRECTION
X = 3-Size 2 reflector units (Type 2 only)
Y = 1-Size 3 reflector unit (Type 2 only)
Z = 3-Size 1 or 1-Size 4 reflector unit(s) (Type 2 only)
L = Left Side (Type 3 Object Marker only)
R = Right Side (Type 3 Object Marker only)
C = Center (Type 3 Object Marker only)

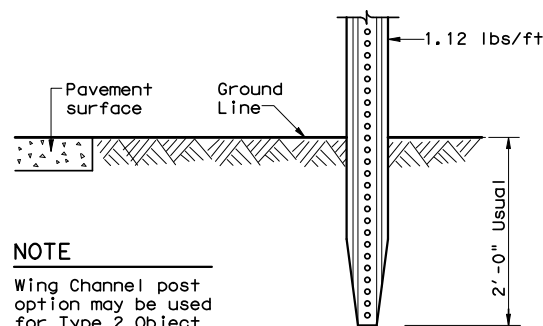
- TYPE OF POST
WC = Wing Channel Post
FLX = Flexible Post
TWT = Thin Walled Tubing

- TYPE OF MOUNT
GND = Embedded (drivable or set in concrete)
SRF = Surface Mount

- DIRECTION
If Required
BI = Bi-Directional

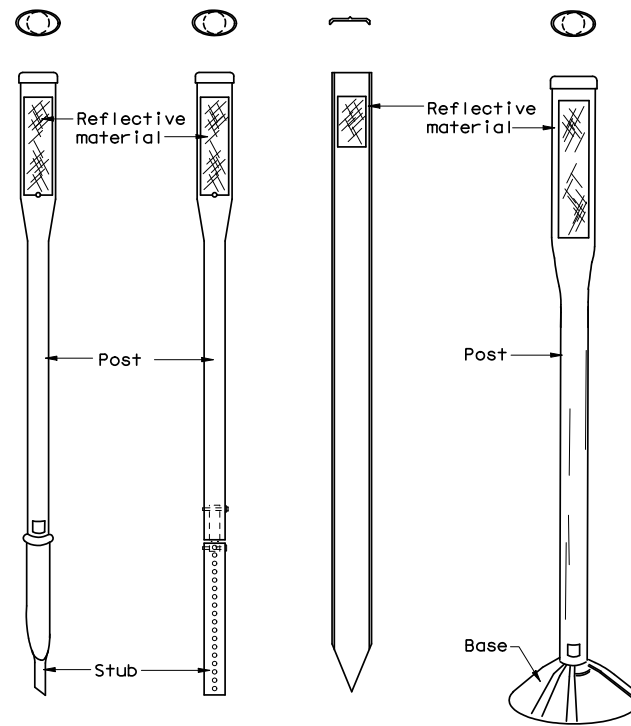


TYPICAL INSTALLATION



NOTE
Wing Channel post option may be used for Type 2 Object Markers and delineators only.

WING CHANNEL



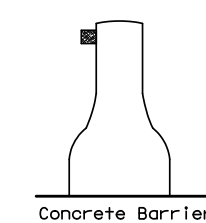
EMBEDDED

SURFACE MOUNT

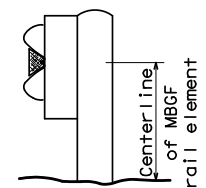
NOTES

- See Material Producer List for approved devices.
- Install to manufacturer's recommendations.

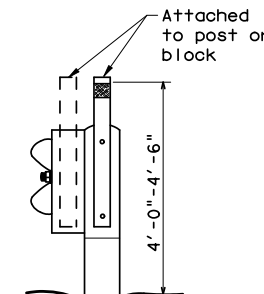
FLEXIBLE POSTS



CTB



GF1



GF2

BARRIER REFLECTORS

GENERAL NOTES

- Place delineators on a section of roadway the same distance from the edge of pavement.
- Where a restriction prevents consistent placement from the pavement edge, place the affected object markers in line with the innermost edge of the obstruction.
- When object markers are more than 8'-0" from the edge of the pavement, it may not be possible to maintain a height of 4'-0"-4'-6". If this is the case, place the object markers as close to the desired height as possible.
- Install all delineators, object markers and barrier reflectors in accordance with the manufacturer's recommendation.

DEPARTMENTAL MATERIAL SPECIFICATIONS

FLEXIBLE DELINEATOR & OBJECT MARKER POSTS (EMBEDDED & SURFACE MOUNT TYPES)	DMS-4400
SIGN FACE MATERIALS	DMS-8300
DELINEATORS AND OBJECT MARKERS	DMS-8600

Texas Department of Transportation
Traffic Operations Division

DELINEATOR & OBJECT MARKER INSTALLATION AND MATERIAL DESCRIPTION D & OM(1)-10

© TxDOT August 2004	DN: TxDOT	CK: TxDOT	DW: TxDOT	CK: TxDOT
10-09	CONT	SECT	JOB	HIGHWAY
4-10	DIST	COUNTY	SHEET NO.	