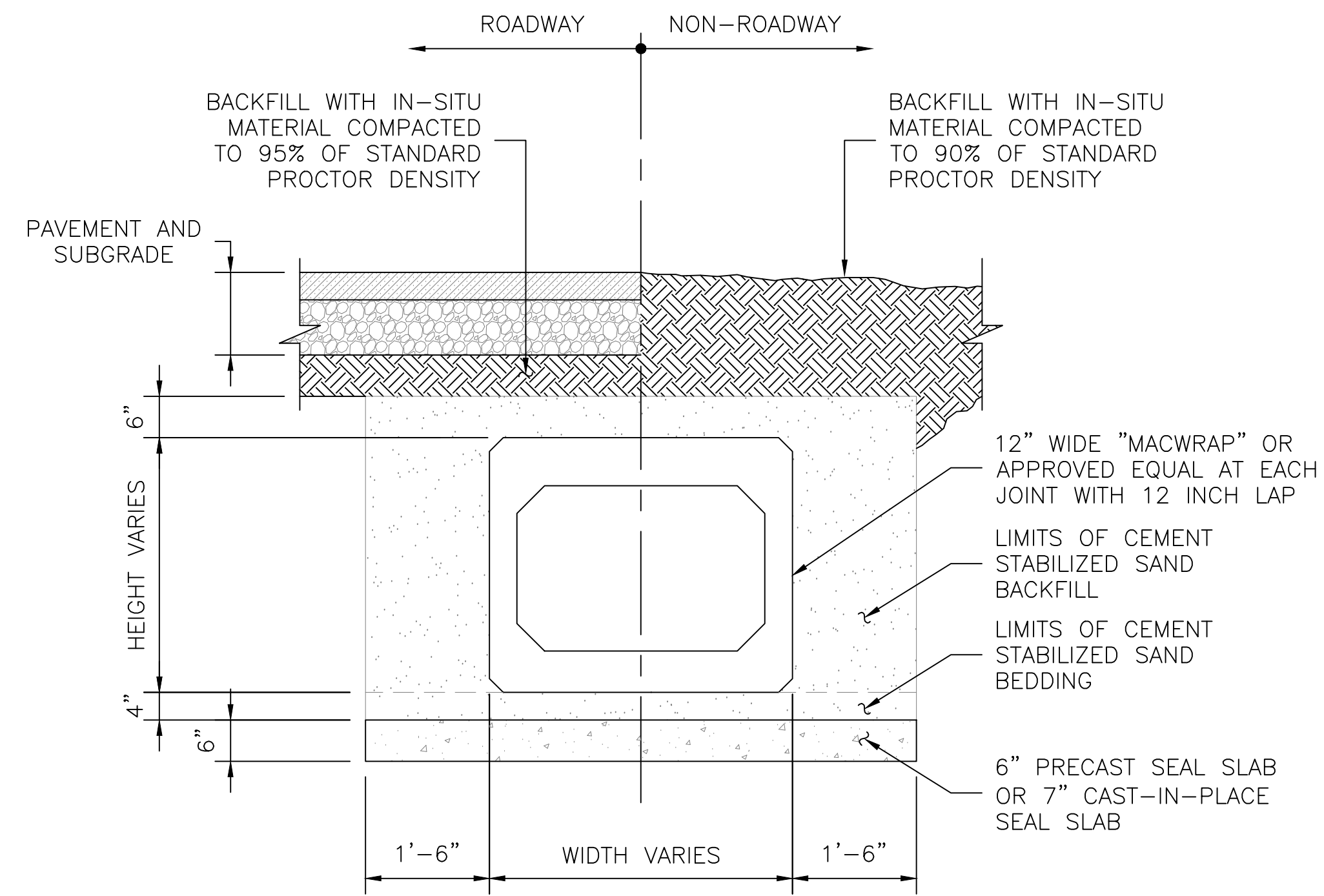
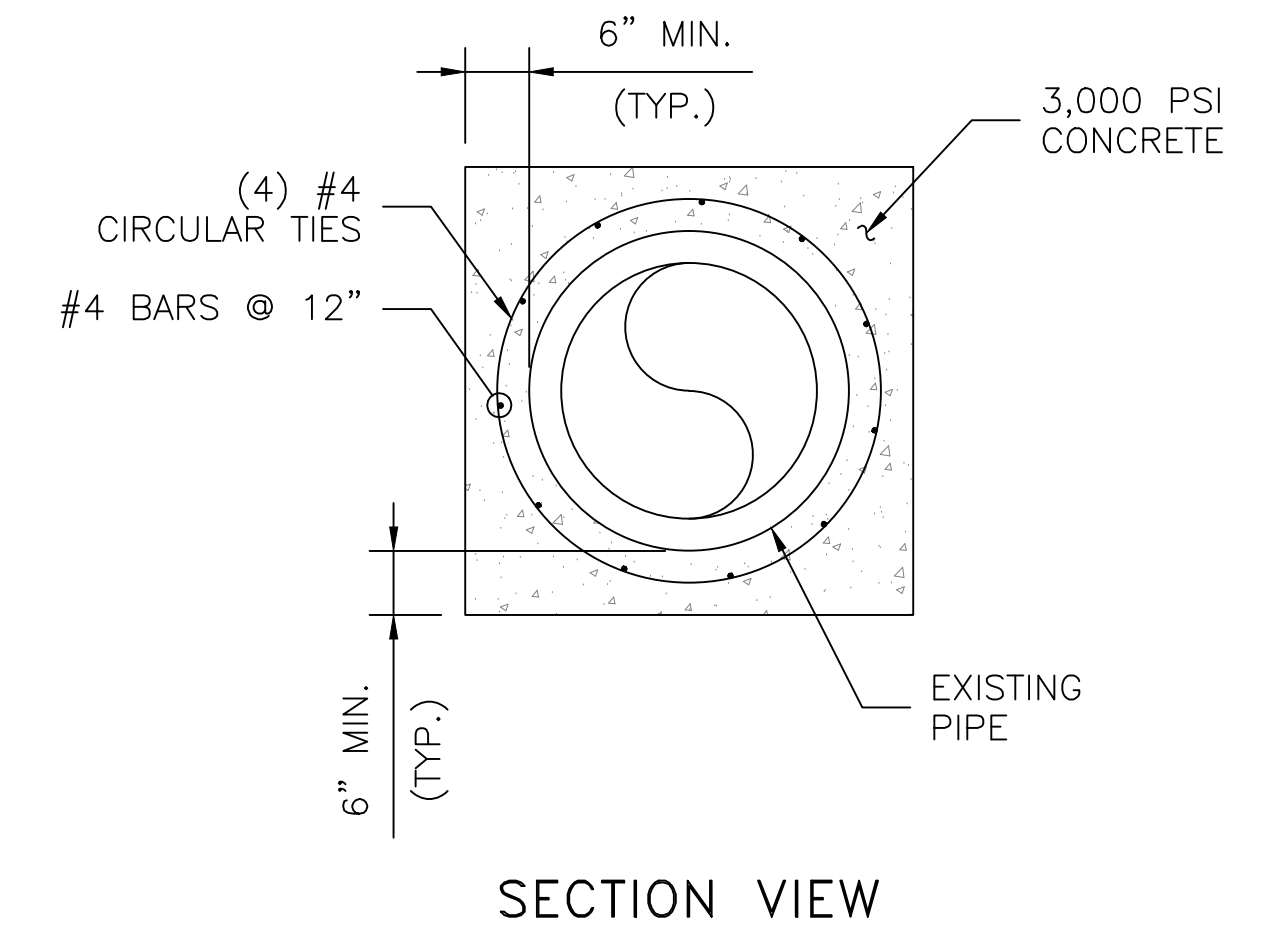


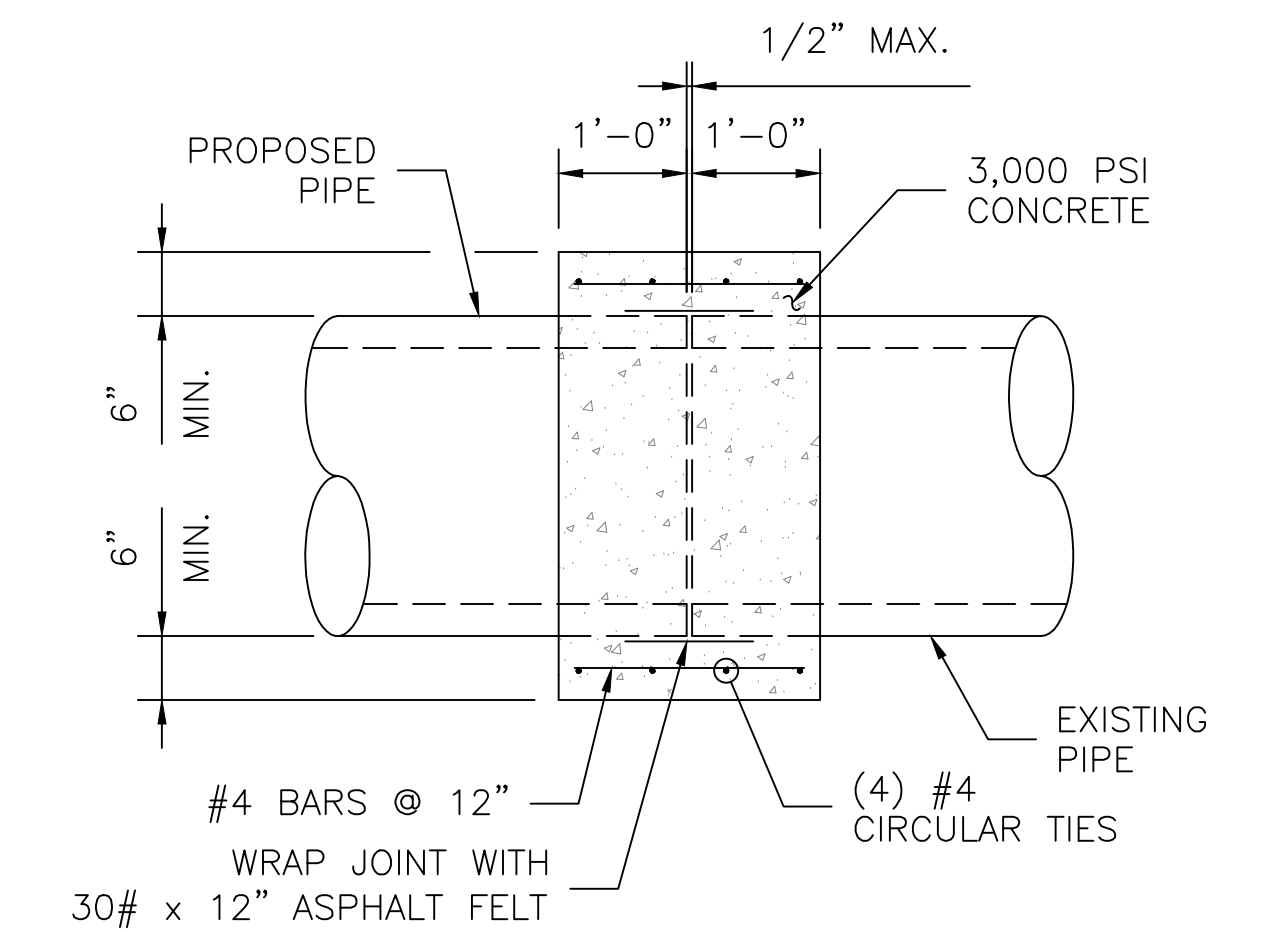
PRECAST REINFORCED CONCRETE BOX



PRECAST REINFORCED CONCRETE BOX WITH SEAL SLAB



SECTION VIEW

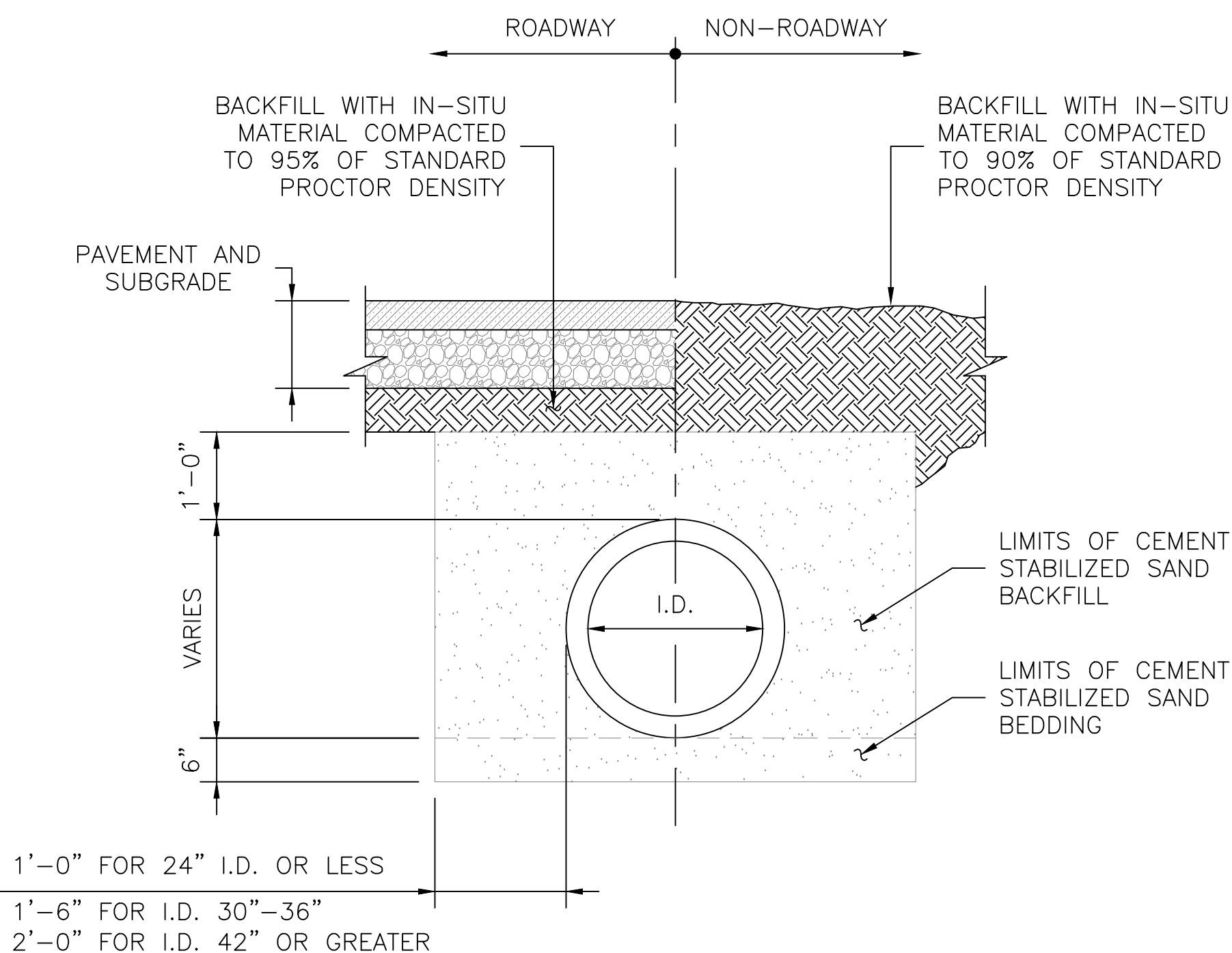


ELEVATION VIEW

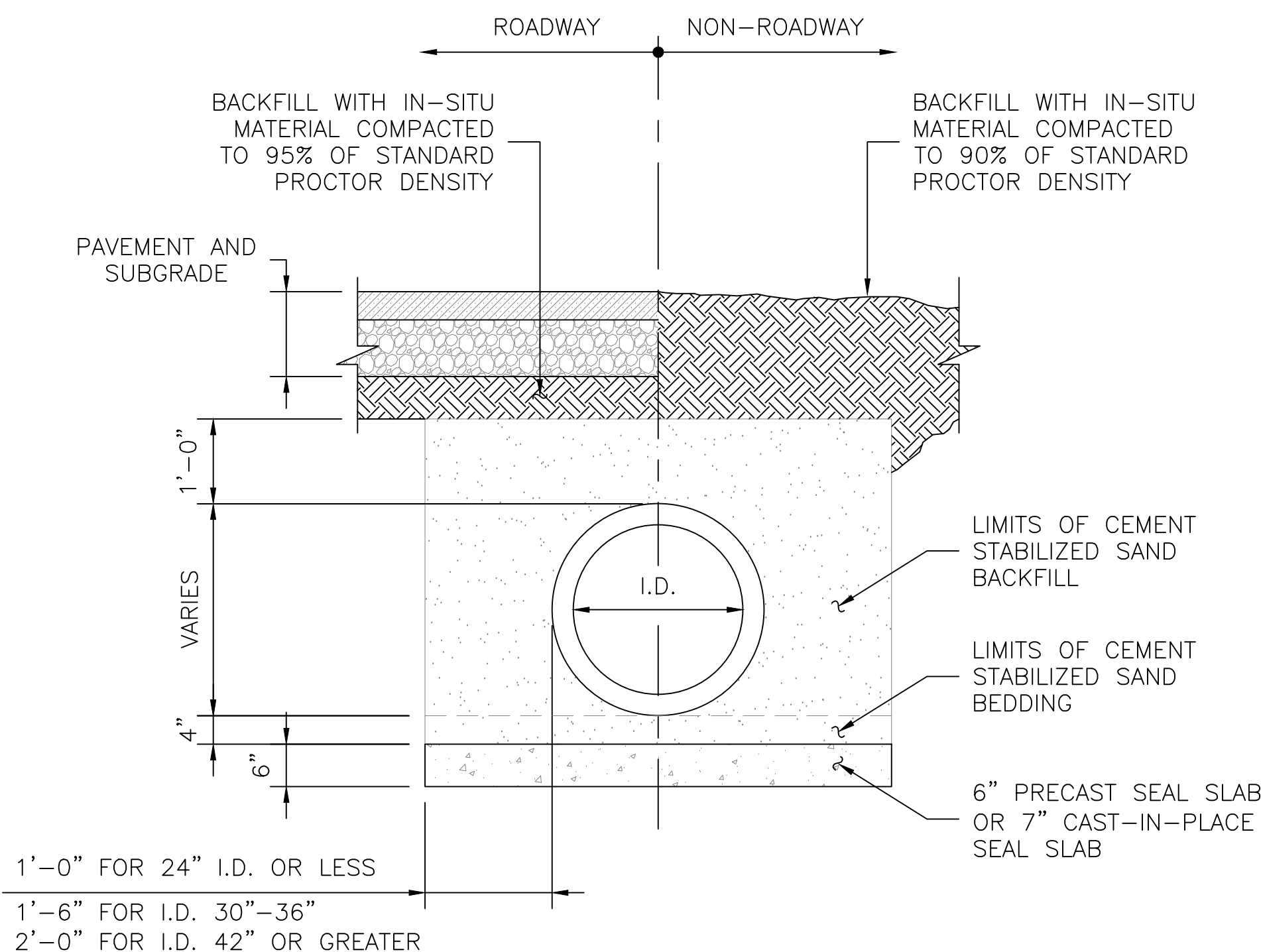
TYPICAL CONCRETE COLLAR FOR 36" & SMALLER RCP

GENERAL NOTES:

- FOR RCP LARGER THAN 36" DIAMETER, CONCRETE COLLARS MUST BE DESIGNED BY THE ENGINEER OF RECORD.



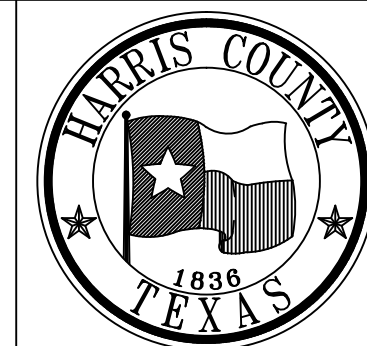
REINFORCED CONCRETE PIPE



REINFORCED CONCRETE PIPE WITH SEAL SLAB

NO.	REVISIONS	DATE	NAME
1	UPDATED DEPARTMENT NAME	2/17/15	RS

HARRIS COUNTY
ENGINEERING DEPARTMENT



CONSULTANT
LOGO/INFORMATION

FOR INTERIM REVIEW ONLY
DOCUMENT INCOMPLETE:
NOT INTENDED FOR CONSTRUCTION,
BIDDING, OR PERMIT PURPOSES
ENGINEER:
P.E. SERIAL No.
DATE:

PROJECT TITLE:		HCED STANDARD
DRAWN BY: JDZ	SHEET DESCRIPTION: STORM SEWER CONSTRUCTION	11
CK'D BY: PDG		
SCALE: 1"=1'-6"	DETAILS	SHEET NO: /
DATE: 5/21/13	APPROVED BY:	