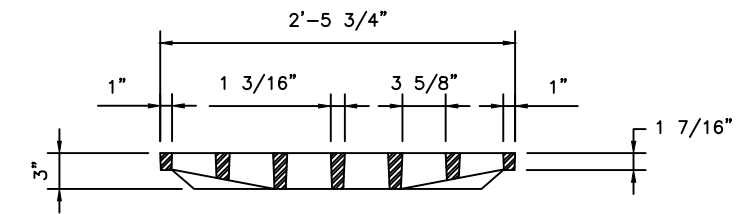
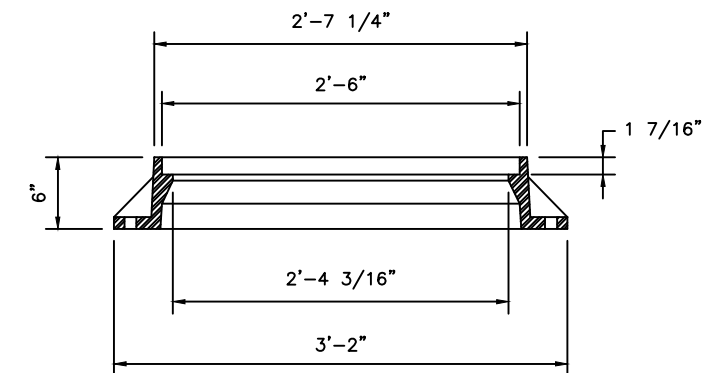


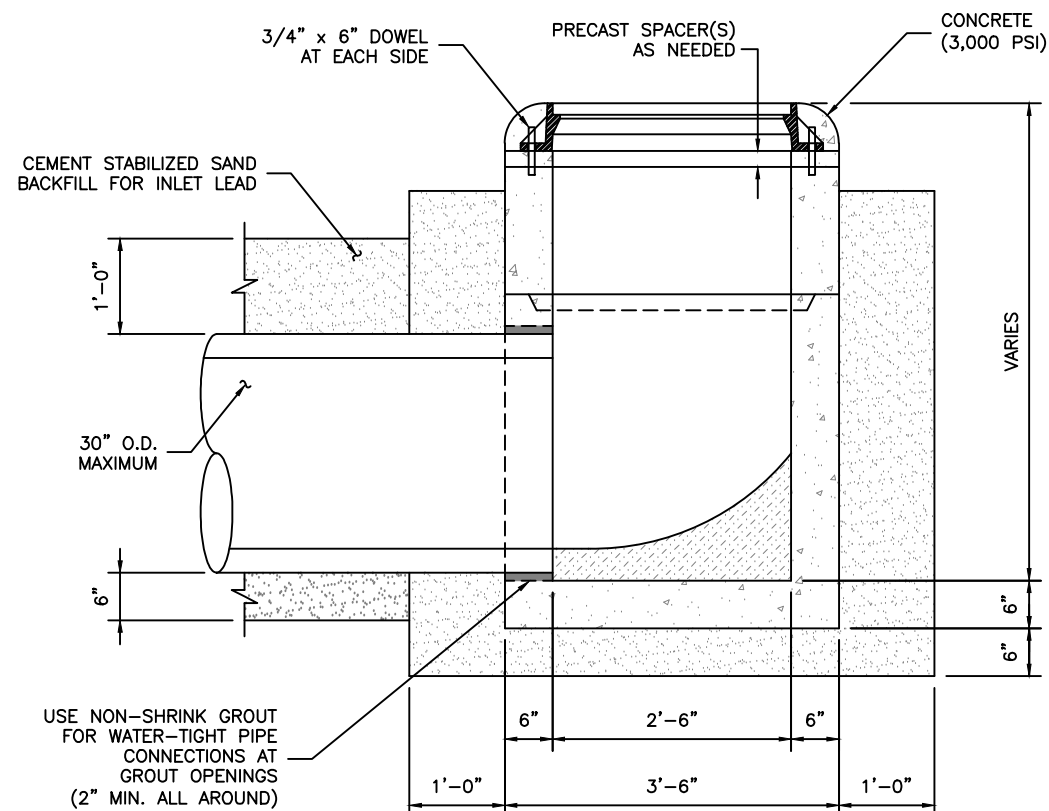
GRATE PLAN VIEW



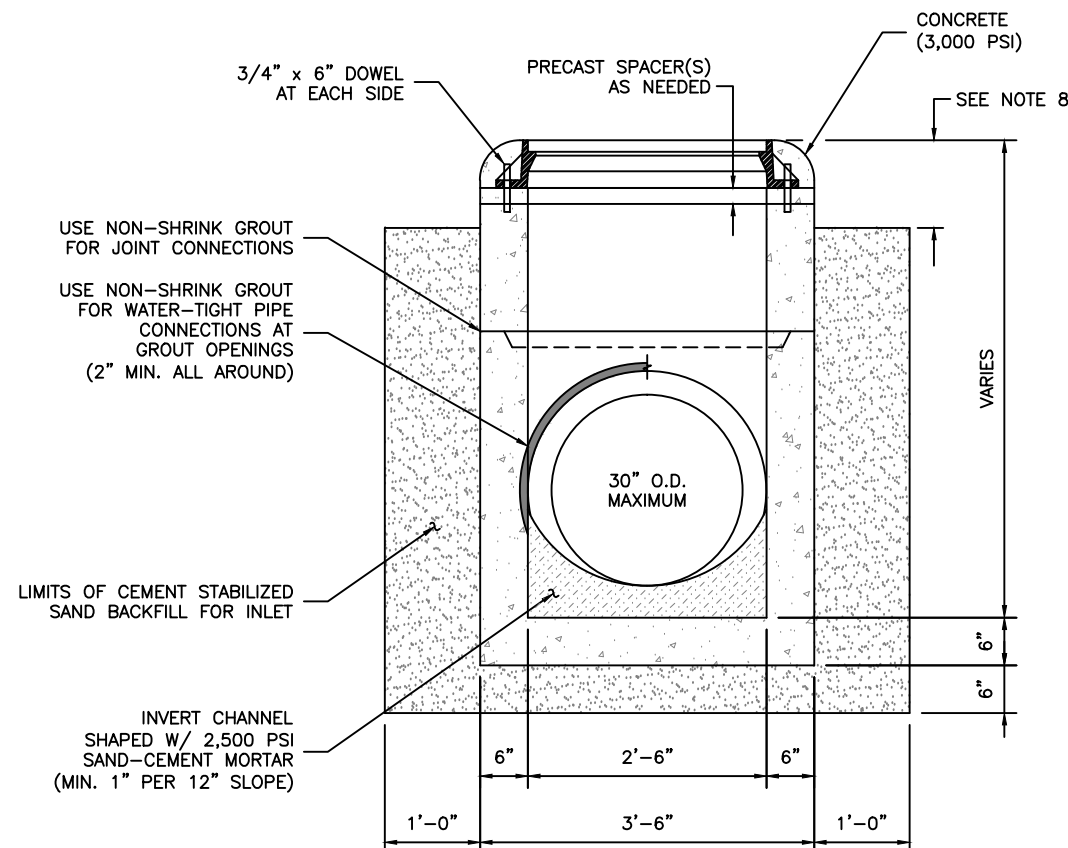
GRATE SECTION A-A



FRAME SECTION A-A



SECTION A-A



SECTION B-B

GENERAL NOTES:

1. CONSTRUCTION AND MATERIALS SHALL MEET REQUIREMENTS OF ITEM 472 "INLETS".
2. CONCRETE FOR INLET: MINIMUM 4,000 PSI IN 28 DAYS
3. PRECAST STRUCTURE TO MEET ASTM C913
4. FRAME AND GRATE SHALL BE EAST JORDAN IRON WORKS MODEL V-4880-1 (OPEN AREA 473 SQ. IN.) OR APPROVED EQUAL.
5. IF THE ENGINEER OF RECORD SPECIFIES A CAST-IN-PLACE INLET, HE/SHE SHALL INCORPORATE A DETAILED DRAWING INTO THE CONTRACT DOCUMENTS. HOWEVER, IF THE CONTRACTOR ELECTS TO CONSTRUCT A CAST-IN-PLACE INLET, THE CONTRACTOR WILL BE RESPONSIBLE FOR PROVIDING A DETAILED DRAWING, SIGNED AND SEALED BY A REGISTERED PROFESSIONAL ENGINEER LICENSED TO PRACTICE IN THE STATE OF TEXAS.
6. SHOP DRAWINGS SHALL BE REQUIRED FOR PRECAST CONSTRUCTION OF INLET.
7. KNOCK-OUTS ARE NOT PERMISSIBLE FOR PRECAST CONSTRUCTION OF INLET.
8. CEMENT STABILIZED SAND SHALL EXTEND TO THE BOTTOM OF PAVEMENT OR SLOPE PAVING, OR 12 INCHES BELOW THE SURFACE IF INLET IS LOCATED IN AN UNPAVED AREA.

NO.	REVISIONS	DATE	NAME
1	UPDATED DEPARTMENT NAME	2/17/15	RS
2	MODIFIED NOTE 5	4/30/15	RS
3			
4			
5			

HARRIS COUNTY
ENGINEERING DEPARTMENT



CONSULTANT
LOGO/INFORMATION

FOR INTERIM REVIEW ONLY
DOCUMENT INCOMPLETE:
NOT INTENDED FOR CONSTRUCTION,
BIDDING, OR PERMIT PURPOSES
ENGINEER:
P.E. SERIAL No.
DATE:

PROJECT TITLE:		HCED STANDARD
DRAWN BY: JDZ	SHEET DESCRIPTION: "A" INLET DETAILS	12
CK'D BY: PDG		
SCALE: 1"=1'-0"	FOR MAXIMUM 30" O.D. PIPE	SHEET NO: /
DATE: 3/27/13	APPROVED BY:	