

PLAN VIEW

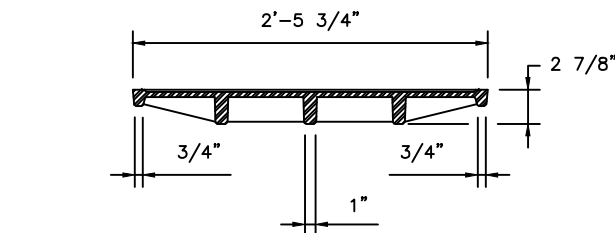
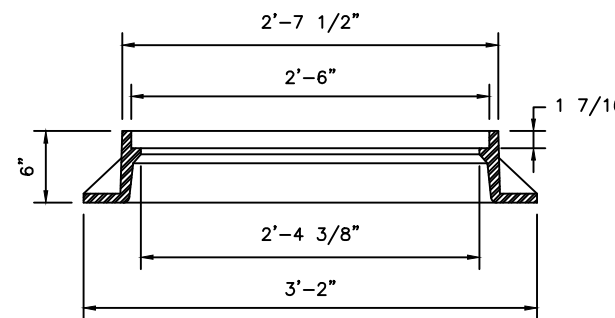
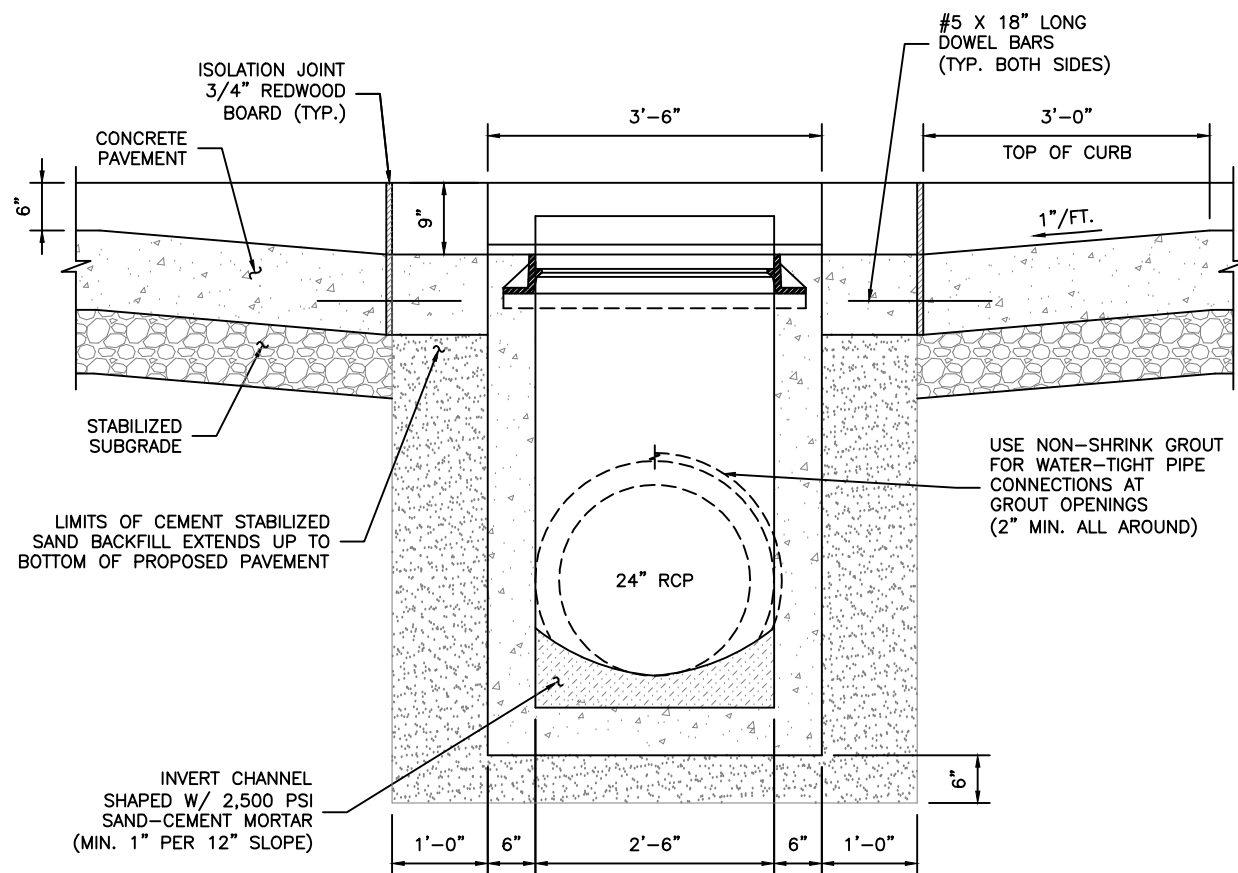


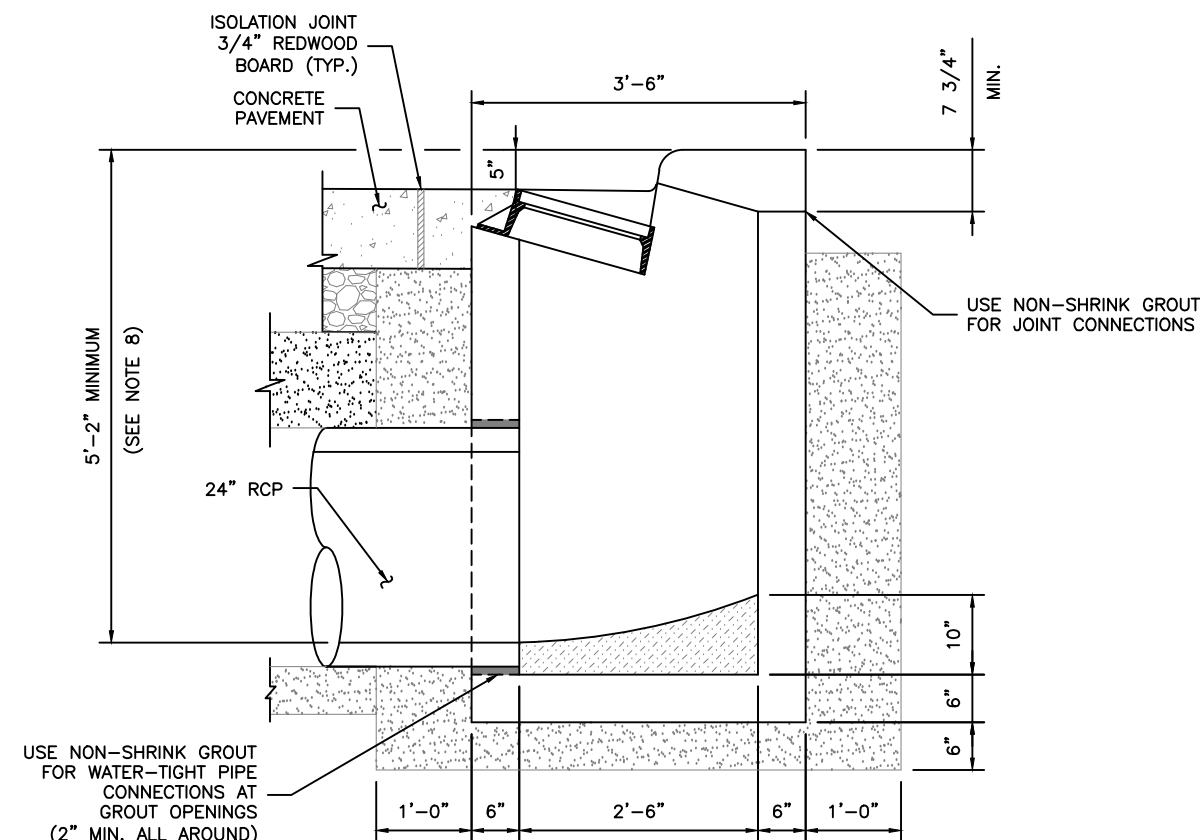
PLATE SECTION A-A



FRAME SECTION A-A



SECTION A-A



SECTION B-B

GENERAL NOTES:

1. CONSTRUCTION AND MATERIALS SHALL MEET REQUIREMENTS OF ITEM 472 "INLETS".
2. CONCRETE FOR INLET: MINIMUM 4,000 PSI IN 28 DAYS
3. PRECAST STRUCTURE TO MEET ASTM C913.
4. FRAME WITH EITHER SOLID PLATE OR GRATE SHALL BE EAST JORDAN IRON WORKS MODEL V-4241 OR APPROVED EQUAL.
5. IF THE ENGINEER OF RECORD SPECIFIES A CAST-IN-PLACE INLET, HE/SHE SHALL INCORPORATE A DETAILED DRAWING INTO THE CONTRACT DOCUMENTS. HOWEVER, IF THE CONTRACTOR ELECTS TO CONSTRUCT A CAST-IN-PLACE INLET, THE CONTRACTOR WILL BE RESPONSIBLE FOR PROVIDING A DETAILED DRAWING, SIGNED AND SEALED BY A REGISTERED PROFESSIONAL ENGINEER LICENSED TO PRACTICE IN THE STATE OF TEXAS.
6. SHOP DRAWINGS SHALL BE REQUIRED FOR PRECAST CONSTRUCTION OF INLET.
7. KNOCK-OUTS ARE NOT PERMISSIBLE FOR PRECAST CONSTRUCTION OF INLET.
8. 5'-2" MINIMUM OR AS SPECIFIED BY THE ENGINEER OF RECORD.

NO.	REVISIONS	DATE	NAME
1	UPDATED DEPARTMENT NAME	2/17/15	RS
2	MODIFIED NOTE 5	4/30/15	RS
3			
4			
5			

HARRIS COUNTY
ENGINEERING DEPARTMENT



CONSULTANT
LOGO/INFORMATION

FOR INTERIM REVIEW ONLY
DOCUMENT INCOMPLETE:
NOT INTENDED FOR CONSTRUCTION,
BIDDING, OR PERMIT PURPOSES
ENGINEER:
P.E. SERIAL NO.
DATE:

PROJECT TITLE:		HCD STANDARD
DRAWN BY: JDZ	SHEET DESCRIPTION: TYPE "B" INLET DETAILS	14
CK'D BY: PDG		
SCALE: 1"=1'-0"	APPROVED BY:	SHEET NO: /
DATE: 3/27/13		