

PLAN VIEW

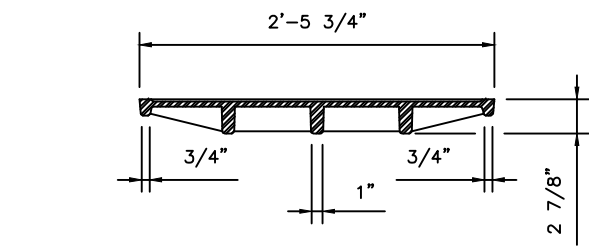
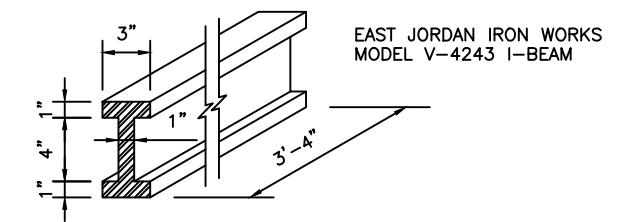


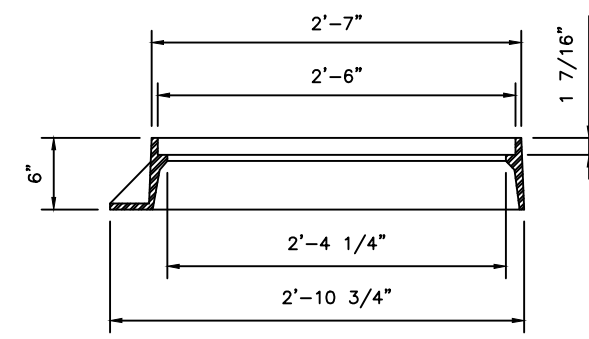
PLATE SECTION A-A



I-BEAM SECTION

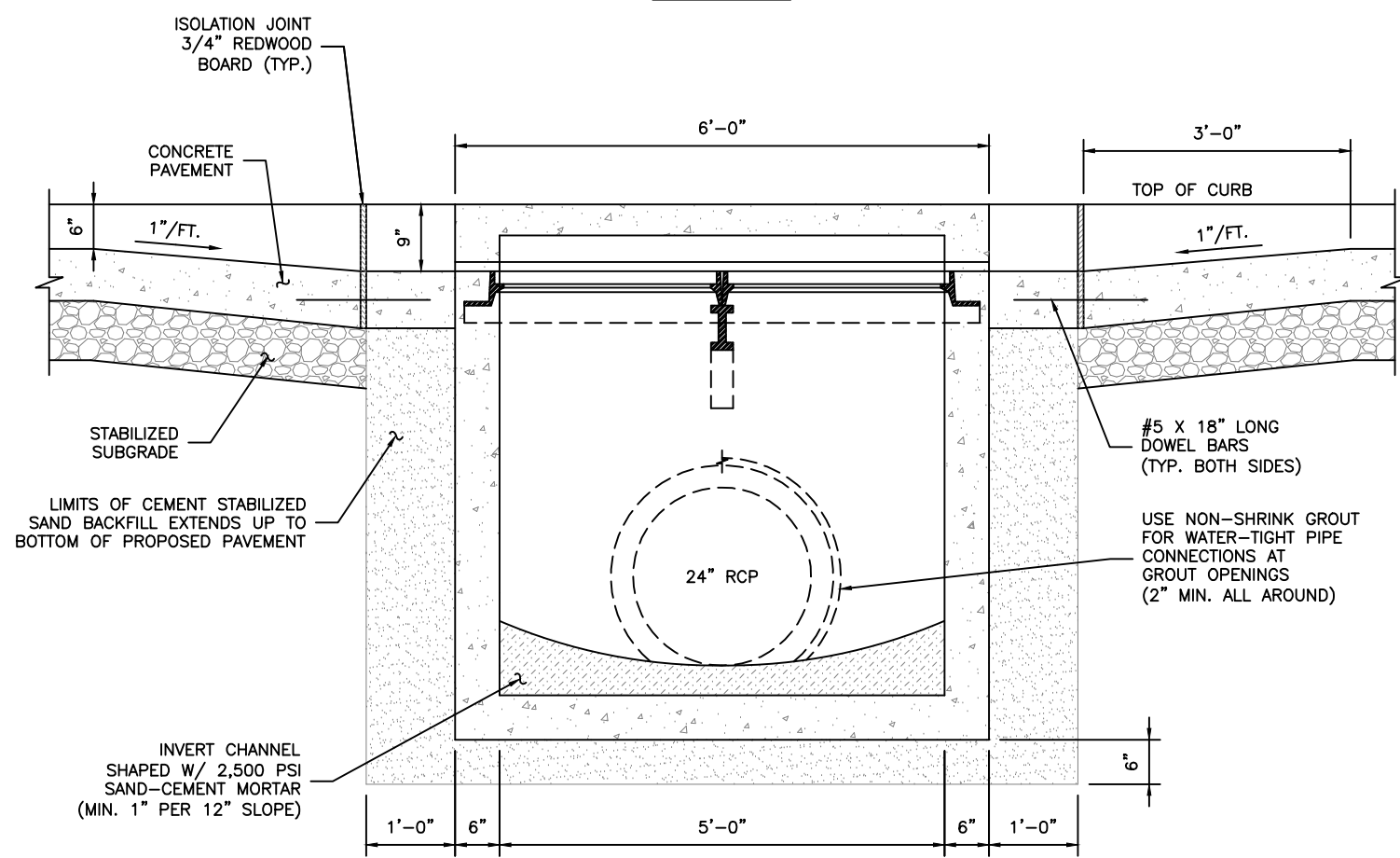
GENERAL NOTES:

1. CONSTRUCTION AND MATERIALS SHALL MEET REQUIREMENTS OF ITEM 472 "INLETS".
2. CONCRETE FOR INLET: MINIMUM 4,000 PSI IN 28 DAYS
3. PRECAST STRUCTURE TO MEET ASTM C913.
4. FRAME WITH EITHER SOLID PLATE OR GRATE SHALL BE EAST JORDAN IRON WORKS MODEL V-4243 OR APPROVED EQUAL.
5. IF THE ENGINEER OF RECORD SPECIFIES A CAST-IN-PLACE INLET, HE/SHE SHALL INCORPORATE A DETAILED DRAWING INTO THE CONTRACT DOCUMENTS. HOWEVER, IF THE CONTRACTOR ELECTS TO CONSTRUCT A CAST-IN-PLACE INLET, THE CONTRACTOR WILL BE RESPONSIBLE FOR PROVIDING A DETAILED DRAWING, SIGNED AND SEALED BY A REGISTERED PROFESSIONAL ENGINEER LICENSED TO PRACTICE IN THE STATE OF TEXAS.
6. SHOP DRAWINGS WILL BE REQUIRED FOR PRECAST CONSTRUCTION OF INLET.
7. KNOCK-OUTS ARE NOT PERMISSIBLE FOR PRECAST CONSTRUCTION OF INLET.
8. 5'-2" MINIMUM OR AS SPECIFIED BY THE ENGINEER OF RECORD.

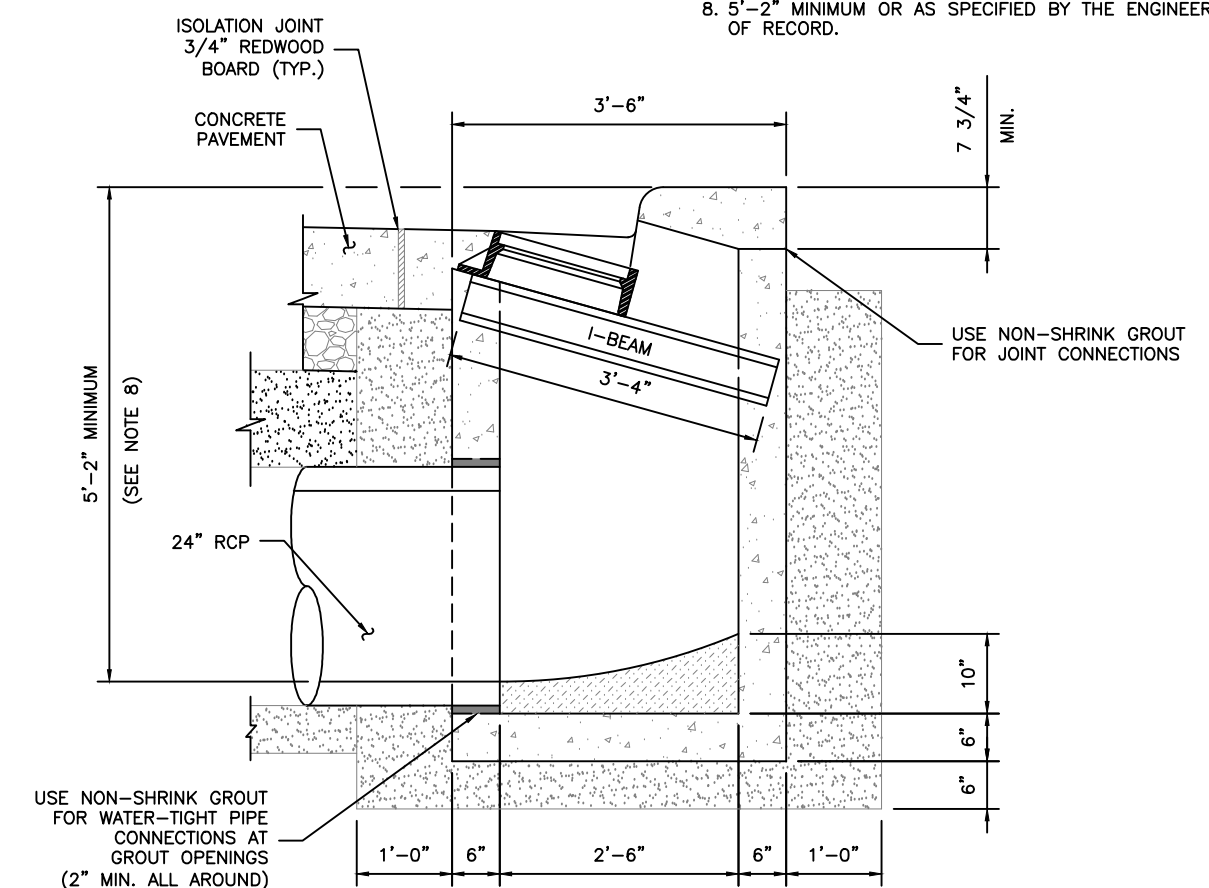


LEFT FRAME SECTION A-A

RIGHT FRAME IS OPPOSITE HAND



SECTION A-A



SECTION B-B

NO.	REVISIONS	DATE	NAME
1	UPDATED DEPARTMENT NAME	2/17/15	RS
2	MODIFIED NOTE 5	4/30/15	RS
3			
4			
5			

HARRIS COUNTY  
ENGINEERING DEPARTMENT



CONSULTANT  
LOGO/INFORMATION

FOR INTERIM REVIEW ONLY  
DOCUMENT INCOMPLETE:  
NOT INTENDED FOR CONSTRUCTION,  
BIDDING, OR PERMIT PURPOSES  
ENGINEER:  
P.E. SERIAL No.  
DATE:

PROJECT TITLE:		HCED STANDARD
DRAWN BY: JDZ	SHEET DESCRIPTION: TYPE "B-B" INLET DETAILS	15
CK'D BY: PDG		
SCALE: 1"=1'-0"	APPROVED BY:	SHEET NO: /
DATE: 3/27/13		