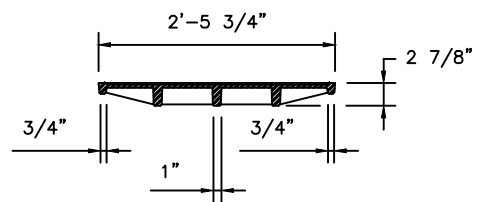
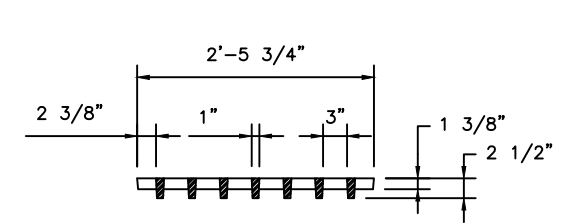


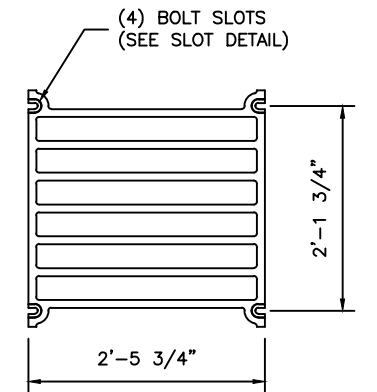
PLAN VIEW



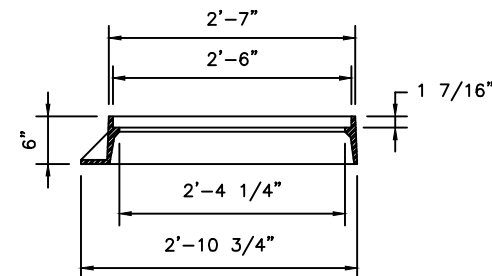
FRONT OF CURB: PLATE SECTION A-A



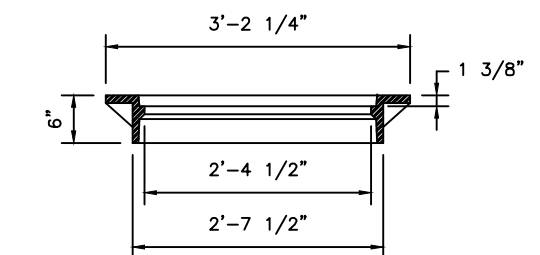
BACK OF CURB: GRATE SECTION B-B



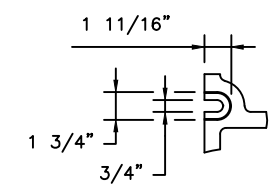
BACK OF CURB: GRATE PLAN VIEW



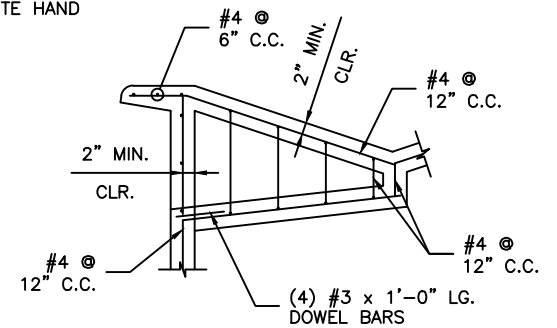
FRONT OF CURB: LEFT FRAME SECTION A-A
RIGHT FRAME IS OPPOSITE HAND



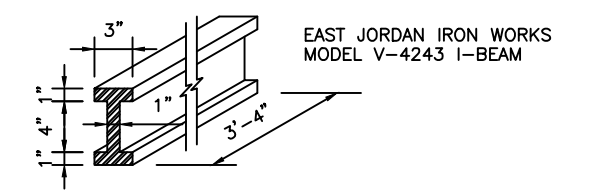
BACK OF CURB: FRAME SECTION A-A



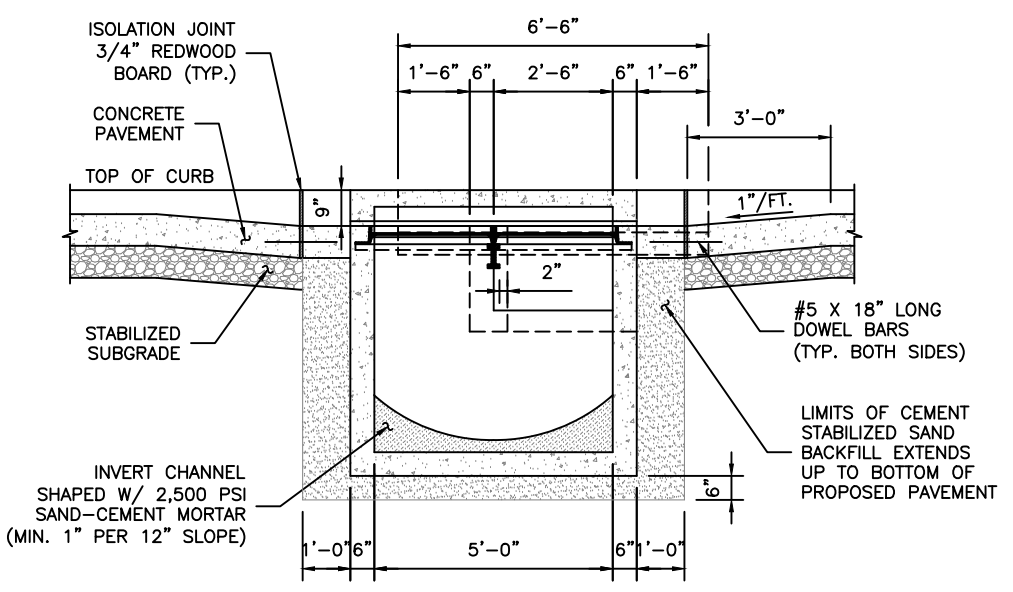
SLOT DETAIL



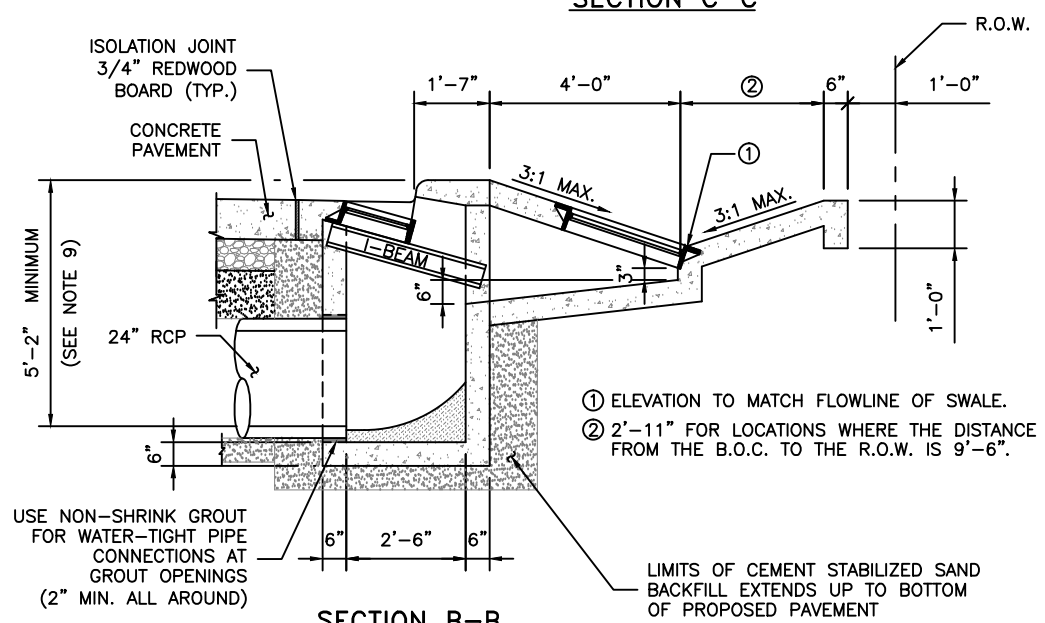
SECTION C-C



I-BEAM SECTION



SECTION A-A



SECTION B-B

GENERAL NOTES:

- CONSTRUCTION AND MATERIALS SHALL MEET REQUIREMENTS OF ITEM 472 "INLETS".
- SLOPE PAVING SHALL CONFORM TO THE REQUIREMENTS OF ITEM 491 "REINFORCED CONCRETE SLOPE PAVING AND PAYMENT SHALL BE INCLUDED IN THE COST OF THE INLET.
- CONCRETE FOR INLET: MINIMUM 4,000 PSI IN 28 DAYS
- PRECAST STRUCTURE TO MEET ASTM C913.
- FRONT OF CURB: FRAME WITH EITHER SOLID PLATE OR GRATE SHALL BE EAST JORDAN IRON WORKS MODEL V-4243 OR APPROVED EQUAL. BACK OF CURB: SHALL BE EAST JORDAN IRON WORKS FRAME MODEL V-4882-3 AND GRATE MODEL V-4880-2 WITH (4) BOLT SLOT GRATE OR APPROVED EQUAL.
- IF THE ENGINEER OF RECORD SPECIFIES A CAST-IN-PLACE INLET, HE/SHE SHALL INCORPORATE A DETAILED DRAWING INTO THE CONTRACT DOCUMENTS. HOWEVER, IF THE CONTRACTOR ELECTS TO CONSTRUCT A CAST-IN-PLACE INLET, THE CONTRACTOR WILL BE RESPONSIBLE FOR PROVIDING A DETAILED DRAWING, SEALED AND SIGNED BY A REGISTERED PROFESSIONAL ENGINEER LICENSED TO PRACTICE IN THE STATE OF TEXAS. USE PRECAST UNITS FOR STAGE I CONSTRUCTION. CAST-IN PLACE MAY BE REQUIRED DURING STAGE II CONSTRUCTION. SHOP DRAWINGS WILL BE REQUIRED FOR THE PRECAST SECTION OF INLET.
- KNOCK-OUTS ARE NOT PERMISSIBLE FOR THE PRECAST SECTION OF INLET.
- 5'-2" MINIMUM OR AS SPECIFIED BY THE ENGINEER OF RECORD.
- TOP OF CURB ELEVATION, DITCH AND STORM SEWER FLOWLINES ARE SHOWN ON THE PLAN AND PROFILE SHEETS.

NO.	REVISIONS	DATE	NAME
1	UPDATED DEPARTMENT NAME	2/17/15	RS
2	MODIFIED NOTE 6	4/30/15	RS

HARRIS COUNTY
ENGINEERING DEPARTMENT



CONSULTANT
LOGO/INFORMATION

FOR INTERIM REVIEW ONLY
DOCUMENT INCOMPLETE:
NOT INTENDED FOR CONSTRUCTION,
BIDDING, OR PERMIT PURPOSES
ENGINEER:
P.E. SERIAL NO.
DATE:

PROJECT TITLE:		HCED STANDARD
DRAWN BY: JDZ	SHEET DESCRIPTION: MODIFIED TYPE B-B INLET DETAILS	16
CK'D BY: PDG		SHEET NO: /
SCALE: 1"=2'-0"	APPROVED BY:	
DATE: 4/1/13		