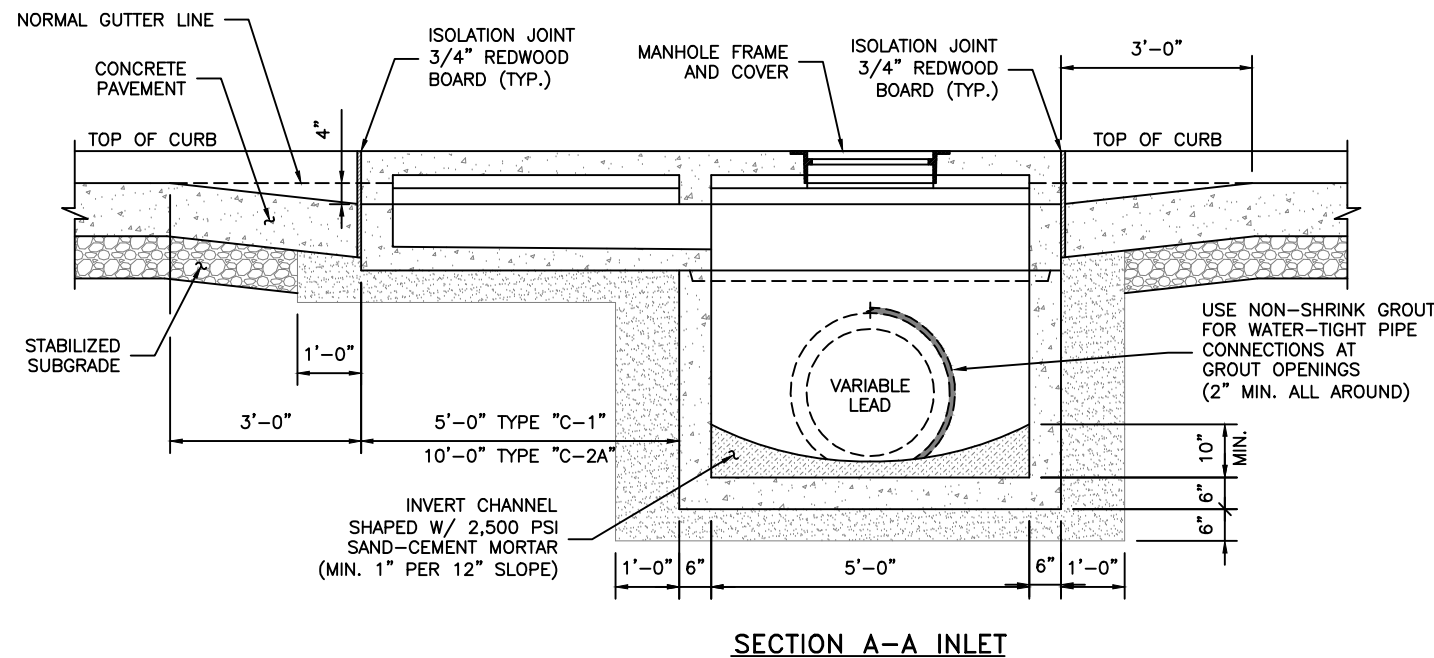
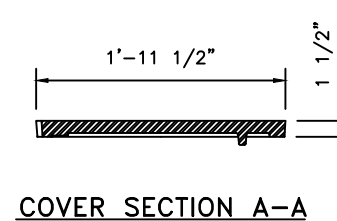


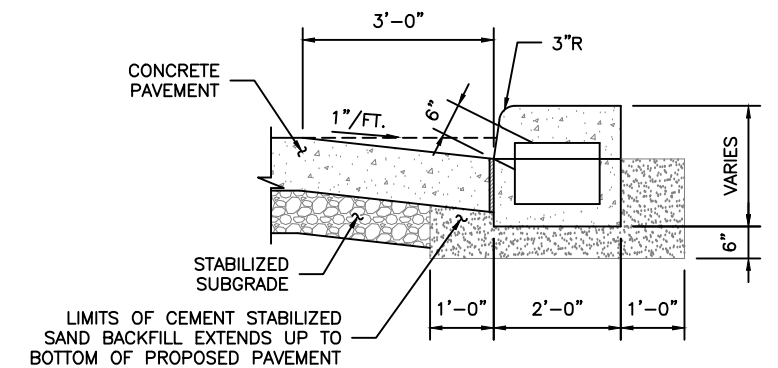
SECTION B-B



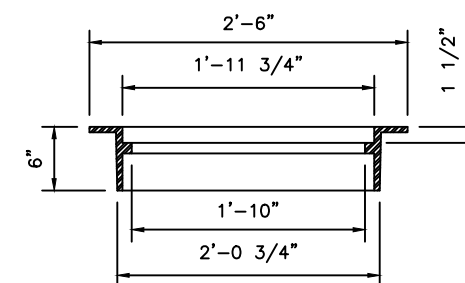
SECTION A-A INLET



COVER SECTION A-A



SECTION C-C



FRAME SECTION A-A

INLET NOTES:

- TYPE "C": INLET ONLY - NO EXTENSION
- TYPE "C-1": INLET WITH ONE EXTENSION (5'-0" LONG)
- TYPE "C-2": INLET WITH ONE EXTENSION (5'-0" LONG) ON EACH SIDE
- TYPE "C-2A": INLET WITH ONE DOUBLE EXTENSION (10'-0" LONG) ON ONE SIDE
- * FOR TYPE "C-2A" INLETS, PROVIDE A CENTER 6"x6" COLUMN IN THE CURB LINE BETWEEN ALL EXTENSIONS.

GENERAL NOTES:

1. CONSTRUCTION AND MATERIALS SHALL MEET REQUIREMENTS OF ITEM 472 "INLETS".
2. CONCRETE FOR INLET: MINIMUM 4,000 PSI IN 28 DAYS
3. PRECAST STRUCTURE TO MEET ASTM C913.
4. FRAME AND COVER SHALL BE EAST JORDAN IRON WORKS MODEL V-1814 FRAME AND V-1418 COVER OR APPROVED EQUAL.
5. IF THE ENGINEER OF RECORD SPECIFIES A CAST-IN-PLACE INLET, HE/SHE SHALL INCORPORATE A DETAILED DRAWING INTO THE CONTRACT DOCUMENTS. HOWEVER, IF THE CONTRACTOR ELECTS TO CONSTRUCT A CAST-IN-PLACE INLET, THE CONTRACTOR WILL BE RESPONSIBLE FOR PROVIDING A DETAILED DRAWING, SIGNED AND SEALED BY A REGISTERED PROFESSIONAL ENGINEER LICENSED TO PRACTICE IN THE STATE OF TEXAS.
6. SHOP DRAWINGS WILL BE REQUIRED FOR THE PRECAST SECTION OF INLET.
7. KNOCK-OUTS ARE NOT PERMISSIBLE FOR THE PRECAST SECTION OF INLET.
8. 5'-6" MINIMUM OR AS SPECIFIED BY THE ENGINEER OF RECORD.

NO.	REVISIONS	DATE	NAME
1	UPDATED DEPARTMENT NAME	2/17/15	RS
2	MODIFIED NOTE 5	4/30/15	RS

HARRIS COUNTY
ENGINEERING DEPARTMENT



CONSULTANT
LOGO/INFORMATION

FOR INTERIM REVIEW ONLY
DOCUMENT INCOMPLETE:
NOT INTENDED FOR CONSTRUCTION,
BIDDING, OR PERMIT PURPOSES
ENGINEER:
P.E. SERIAL NO.
DATE:

PROJECT TITLE:		HCED STANDARD
DRAWN BY: JDZ	SHEET DESCRIPTION: MONOLITHIC TYPE "C", "C-1", "C-2" AND "C-2A" INLET DETAILS	17
CK'D BY: PDG		SHEET NO: /
SCALE: 1"=1'-6"	APPROVED BY:	
DATE: 4/1/13		