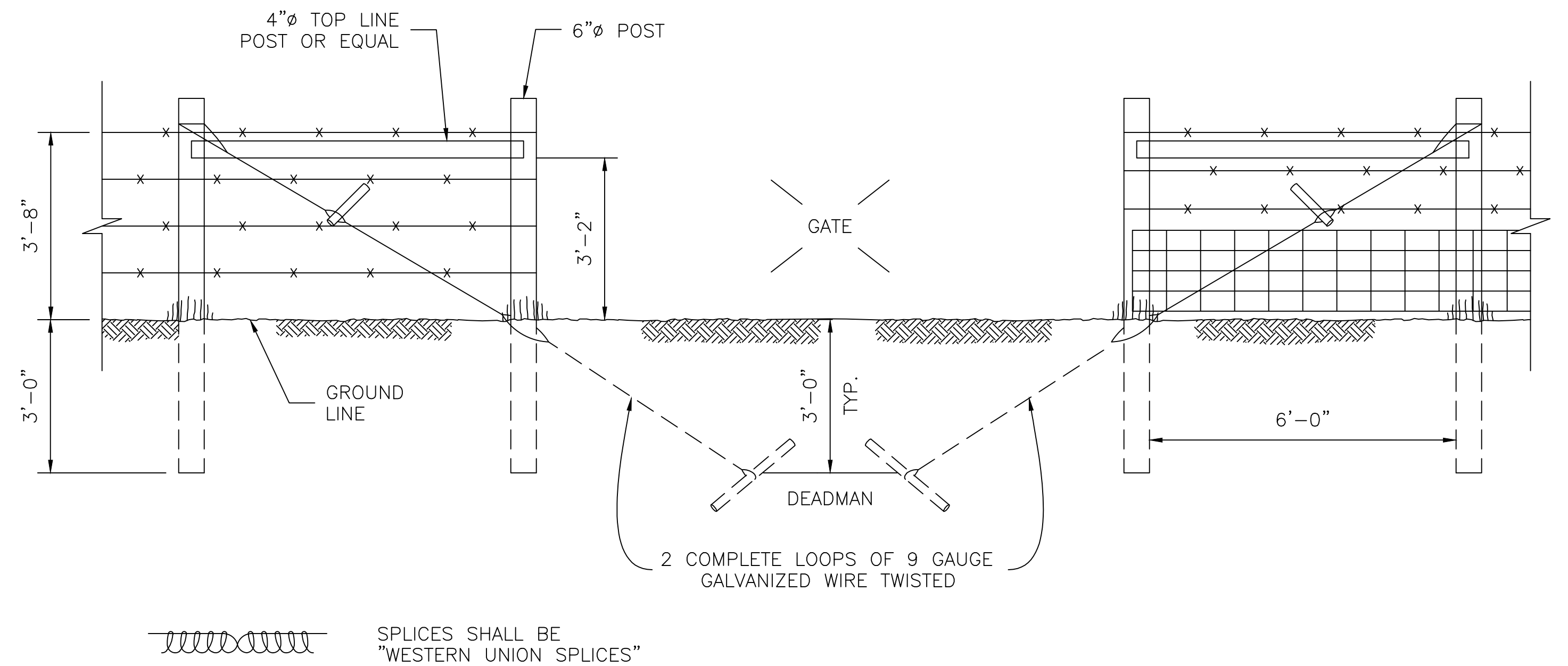
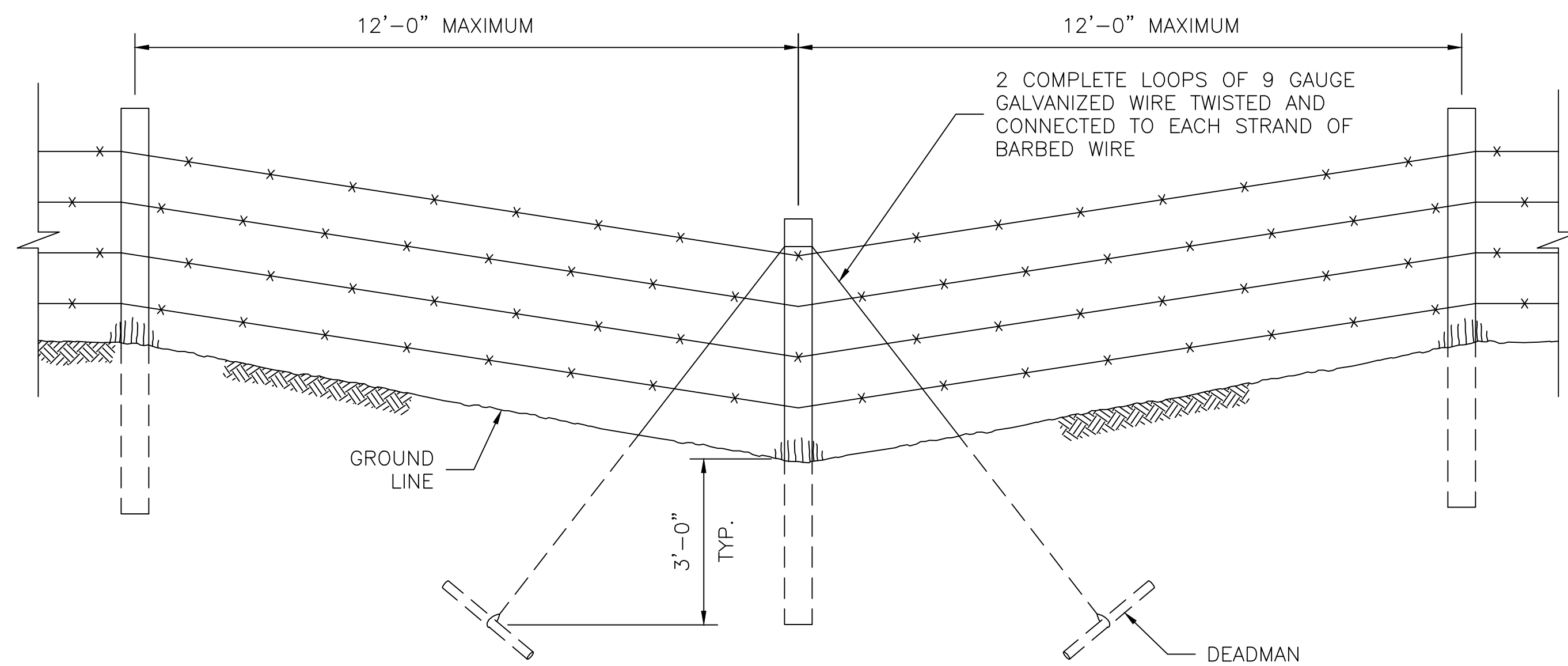


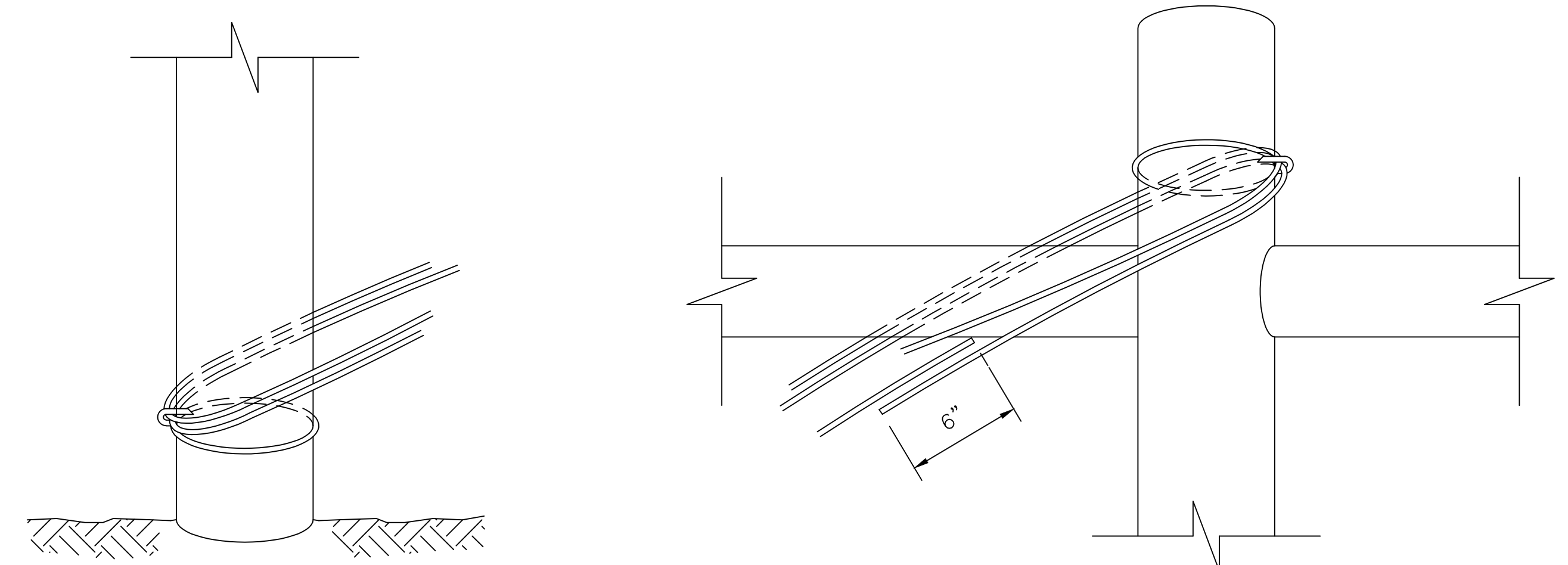
**ISOMETRIC VIEW
AT CORNER ELEVATION**
NOTE: ALL DIMENSIONS ARE MINIMUM



ELEVATION AT GATE OPENING
NOTE: ALL DIMENSIONS ARE MINIMUM



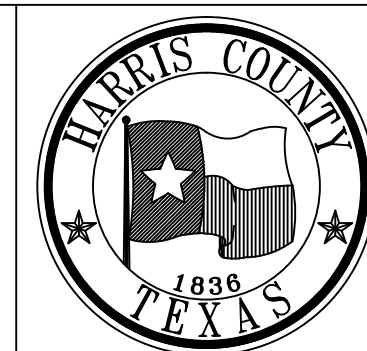
GRADE DEPRESSION DETAIL



FASTENING DETAILS
FOR WIRE BRACE, TIE IN WOOD CORNER,
OR END POST ASSEMBLY

NO.	REVISIONS	DATE	NAME
1	UPDATED DEPARTMENT NAME	2/17/15	RS
△			
△			
△			
△			

HARRIS COUNTY
ENGINEERING DEPARTMENT



CONSULTANT
LOGO/INFORMATION

FOR INTERIM REVIEW ONLY
DOCUMENT INCOMPLETE:
NOT INTENDED FOR CONSTRUCTION,
BIDDING, OR PERMIT PURPOSES
ENGINEER:
P.E. SERIAL No.
DATE:

PROJECT TITLE:		HCED STANDARD
DRAWN BY: JDZ	SHEET DESCRIPTION: BARBED WIRE FENCING DETAILS	26
CK'D BY: PDG		SHEET NO: /
SCALE: 1"=2'-0"	DATE: 5/8/13	APPROVED BY: