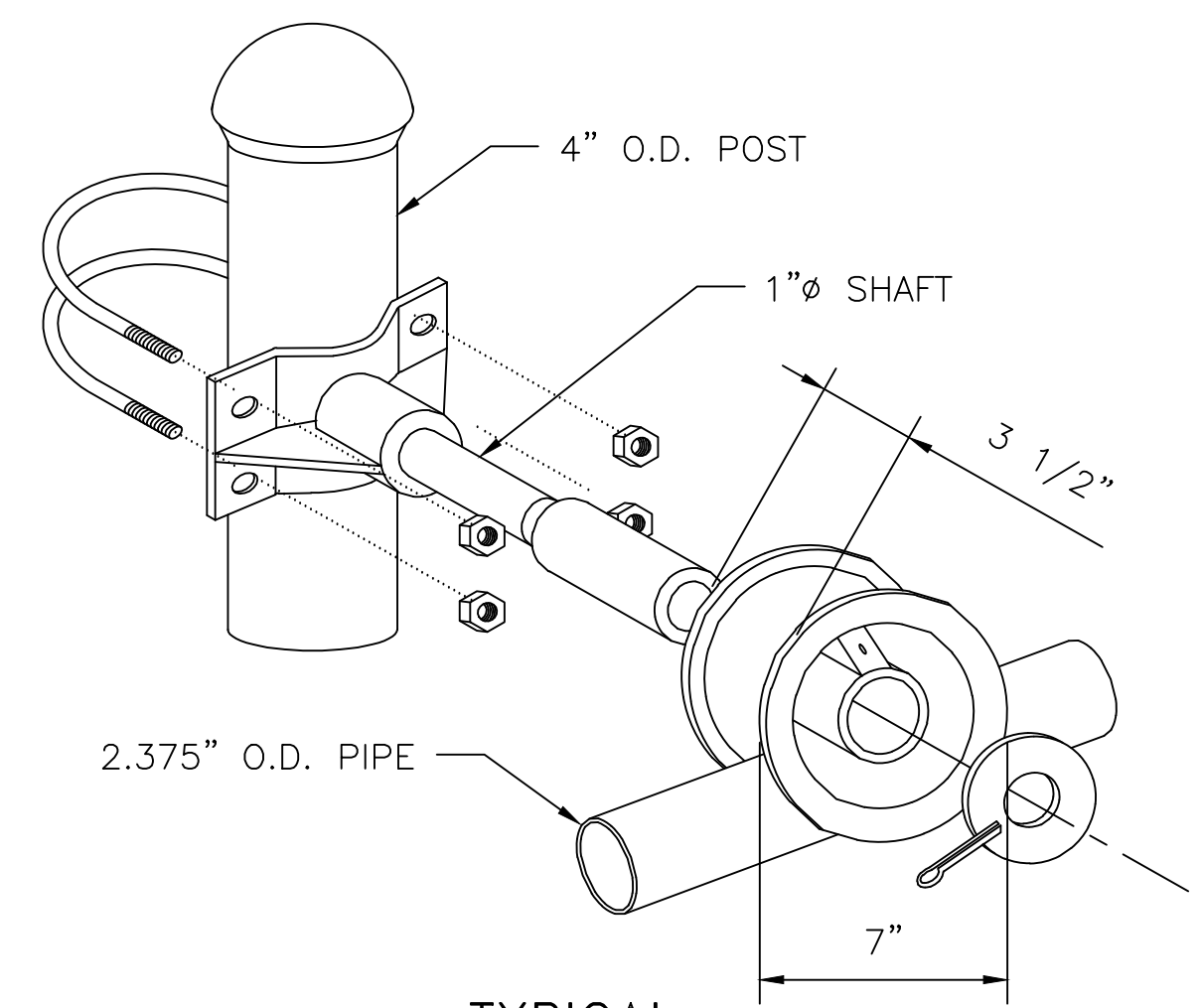
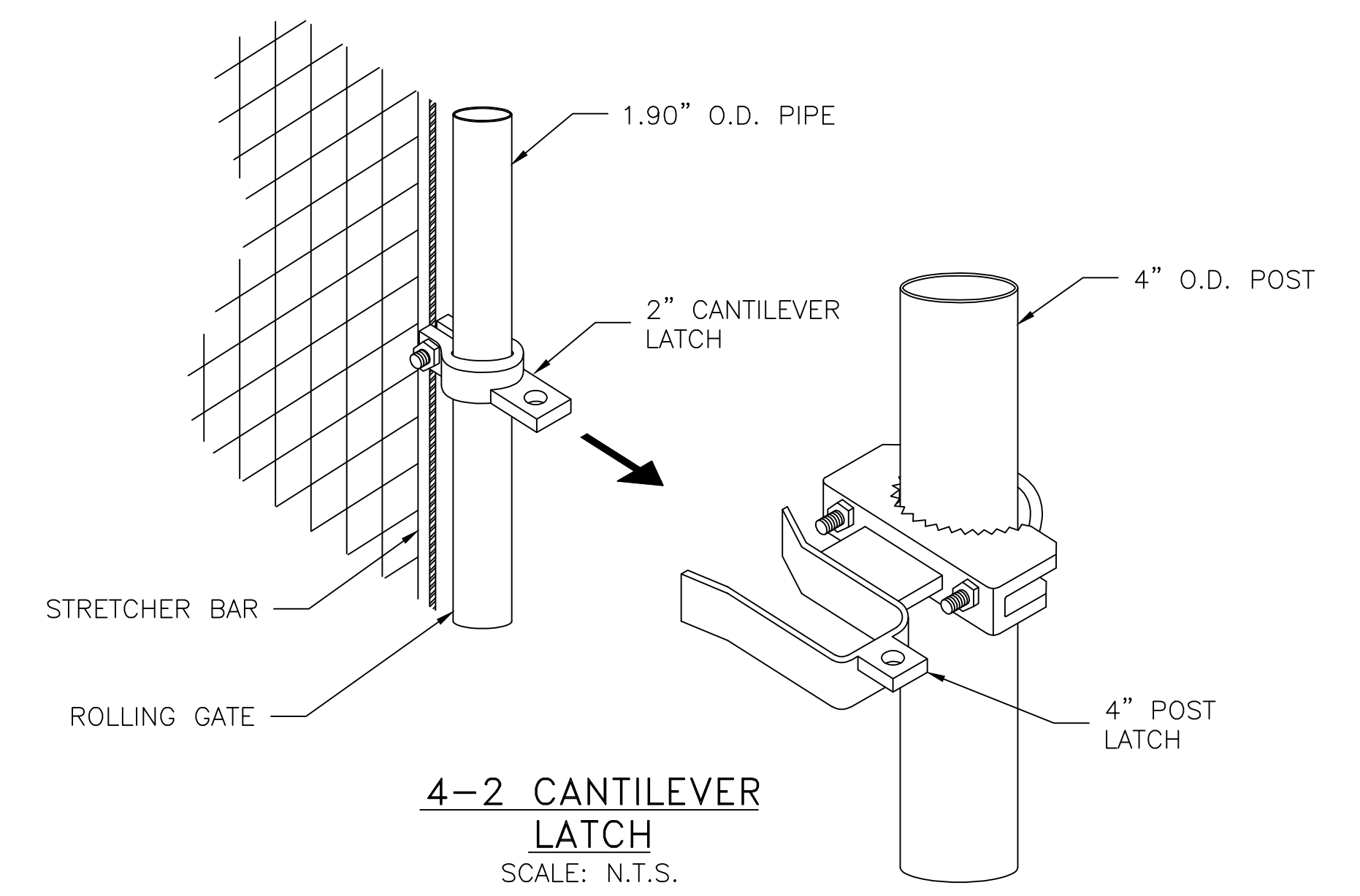


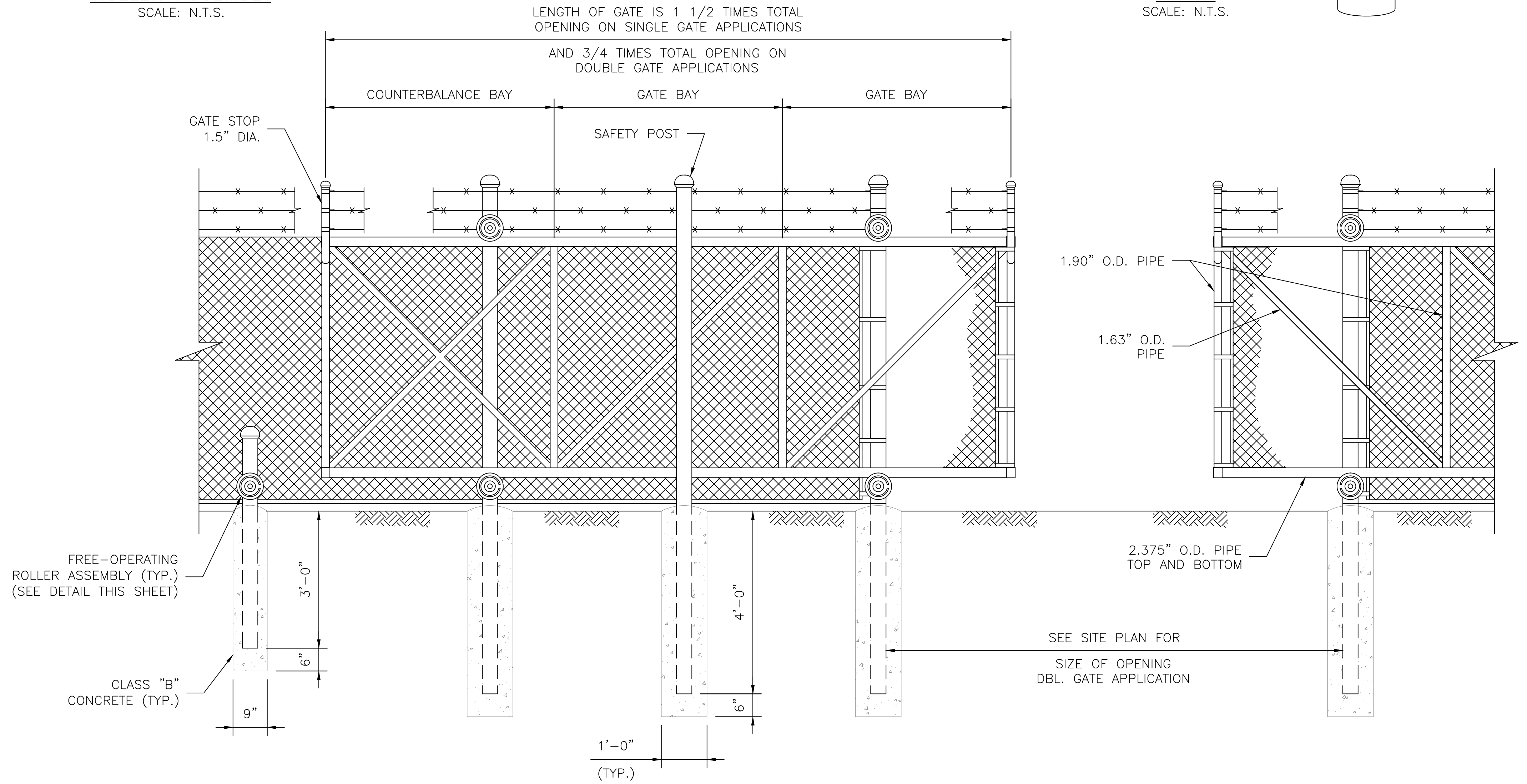
TYPICAL ROLLING GATE DETAIL
SCALE: 1" = 9"



TYPICAL FREE-OPERATING ROLLER ASSEMBLY
SCALE: N.T.S.



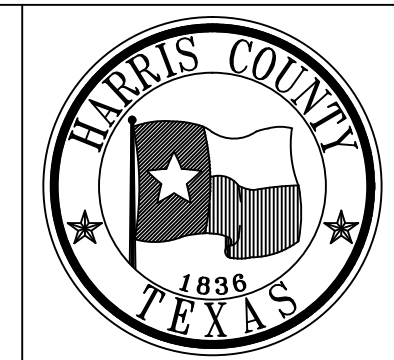
4-2 CANTILEVER LATCH
SCALE: N.T.S.



ELEVATION
SCALE: 1" = 1'-6"

NO.	REVISIONS	DATE	NAME
1	UPDATED DEPARTMENT NAME	2/17/15	RS
△			
△			
△			
△			

HARRIS COUNTY
ENGINEERING DEPARTMENT



CONSULTANT
LOGO/INFORMATION

FOR INTERIM REVIEW ONLY
DOCUMENT INCOMPLETE:
NOT INTENDED FOR CONSTRUCTION,
BIDDING, OR PERMIT PURPOSES
ENGINEER:
P.E. SERIAL No.
DATE:

PROJECT TITLE:		HCED STANDARD
DRAWN BY: JDZ	SHEET DESCRIPTION: ROLLING GATE FENCING DETAILS	28
CK'D BY: PDG		SHEET NO:
SCALE: AS NOTED	APPROVED BY:	/
DATE: 6/18/13		