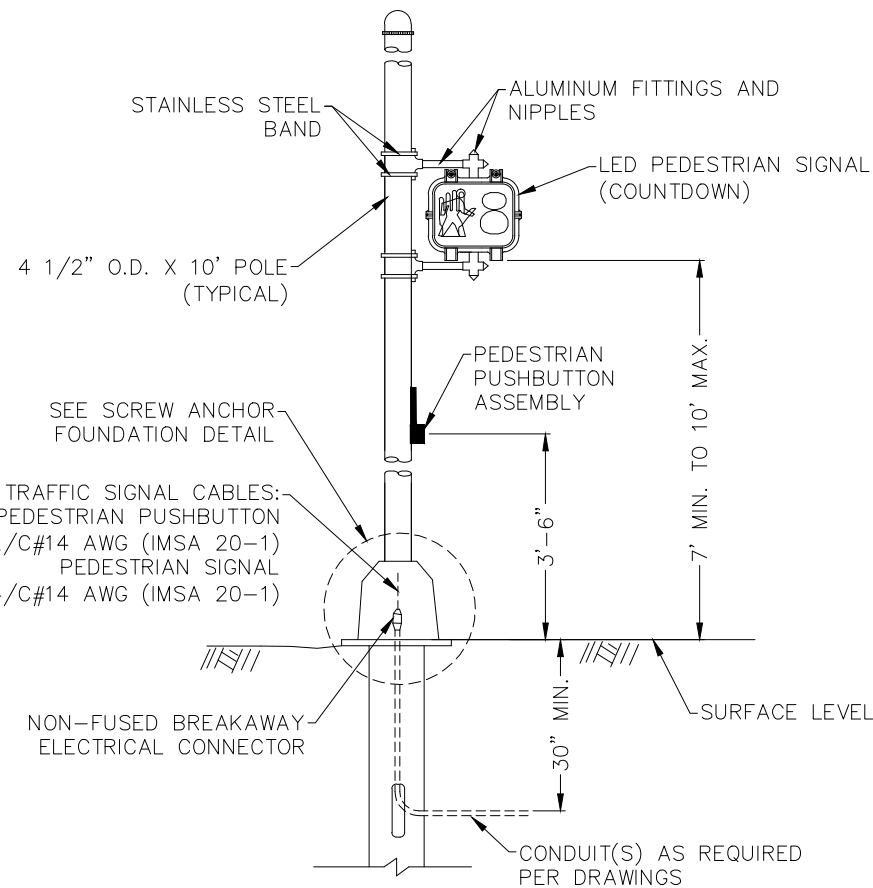
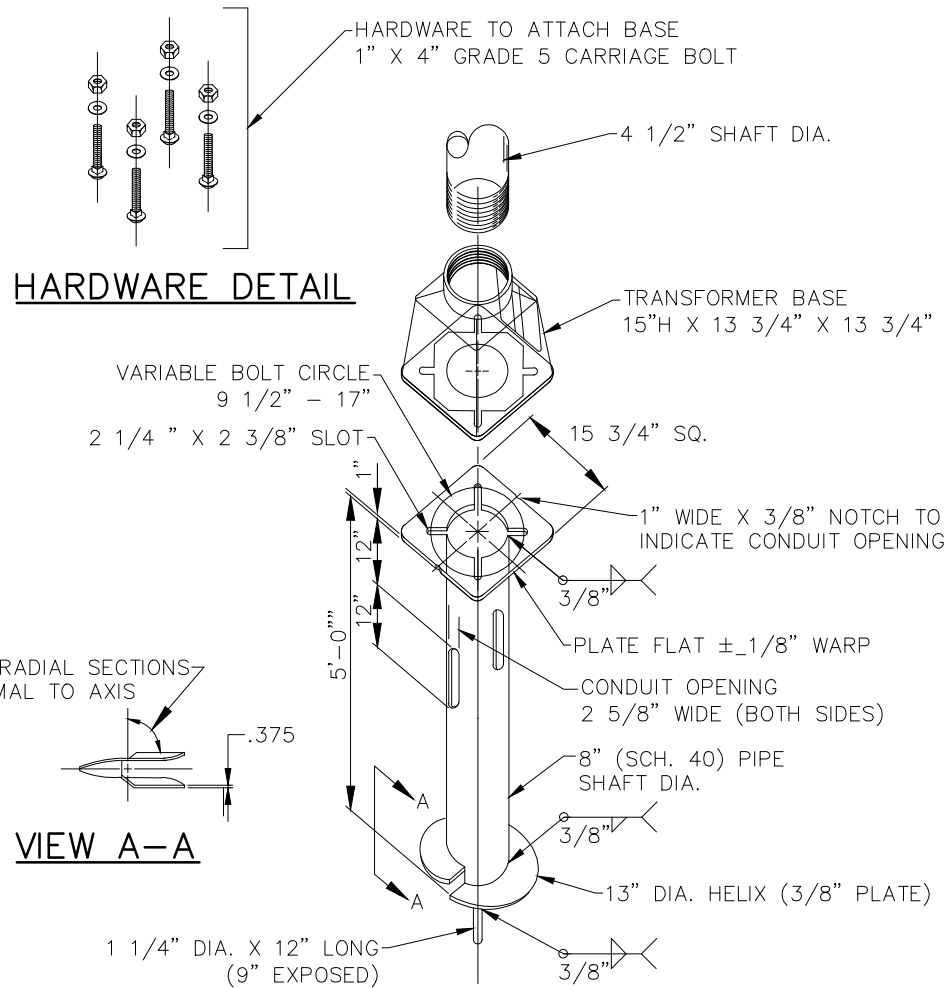


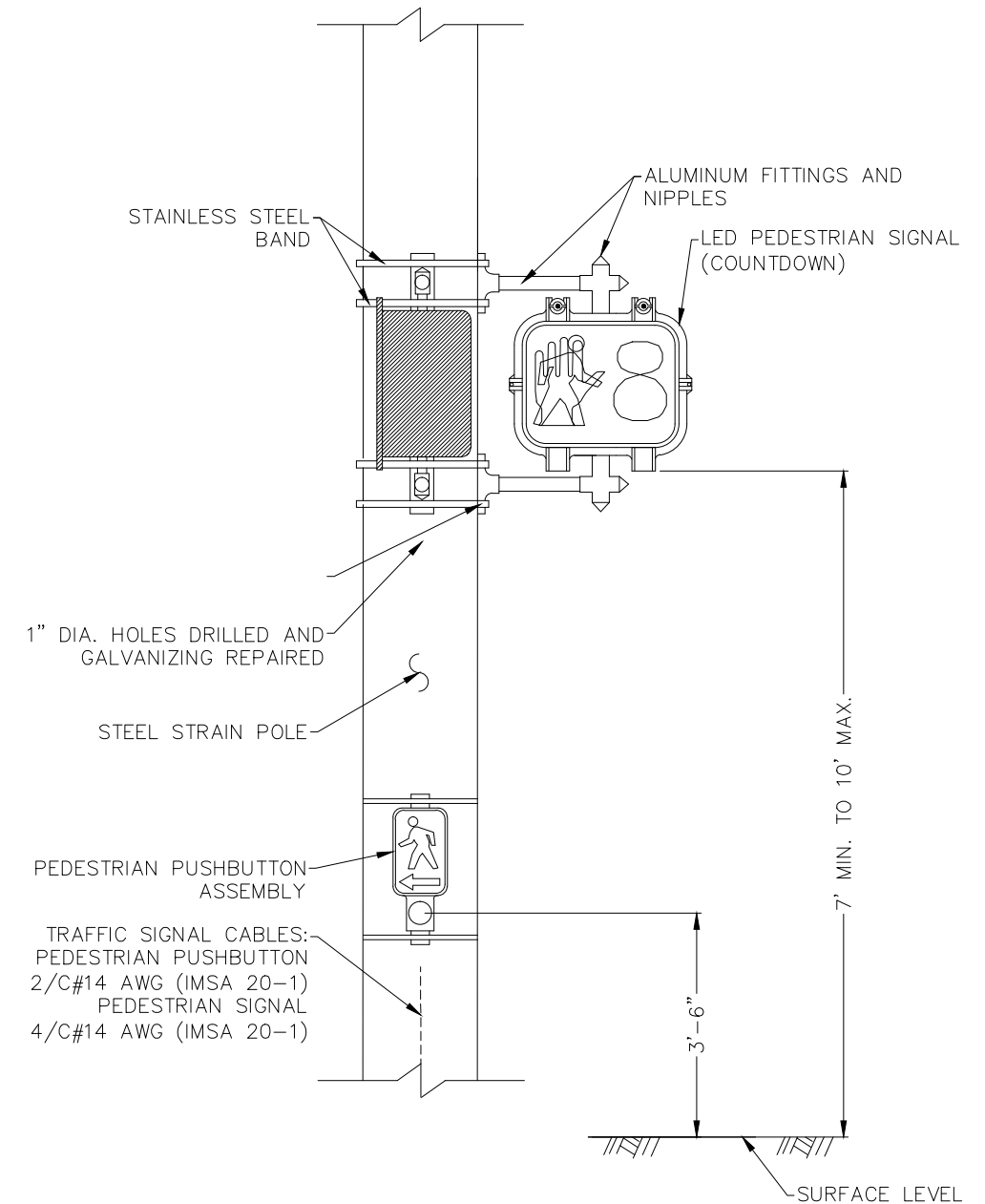
J:\Engineering Specs\Harris County Standard Traffic Drawings-Master file\8-18-2017 STANDARD TRAFFIC DRAWINGS\4-SIGNAL POLE\PS&P.dwg



PEDESTRIAN SIGNAL INSTALLATION ON PEDESTRIAN POLE



SCREW ANCHOR FOUNDATION DETAIL



PEDESTRIAN SIGNAL INSTALLATION ON STEEL STRAIN POLE

NO.	REVISIONS	DATE	NAME
▲			
▲			
▲			
▲			

HARRIS COUNTY ENGINEERING DEPARTMENT



FOR INTERIM REVIEW ONLY
 DOCUMENT INCOMPLETE:
 NOT INTENDED FOR CONSTRUCTION,
 BIDDING, OR PERMIT PURPOSES
 ENGINEER: NAME
 P.E. SERIAL No. NUMBER
 DATE: / /

PROJECT TITLE:		TRAFFIC STANDARD
SHEET DESCRIPTION: PEDESTRIAN SIGNAL AND POLE INSTALLATION		PS&P
DRAWN BY: BSH	DATE: 8/18/17	
CK'D BY: BSH	SCALE: NONE	SHEET NO: /